



BID NUMBER: ERW2303/02

DESCRIPTION: APPOINTMENT OF SERVICE PROVIDER/S FOR THE MAINTENANCE, REPAIRS AND SUPPLY OF ASSOCIATED EQUIPMENT IN RELATION TO MEDIUM VOLTAGE EQUIPMENT ON ALL ERWAT SITES FOR A FIXED TERM PERIOD ON AN AS AND WHEN REQUIRED BASIS

PUBLISH DATE: TUESDAY, 01ST AUGUST 2023

NAME OF BIDDING COMPANY:

CSD NUMBER: MAAA

BIDDER'S OFFER: RATES BASED



**PART A
INVITATION TO BID**

You are hereby invited to bid for requirements of ERWAT	
Bid Number	ERW2303/02: APPOINTMENT OF SERVICE PROVIDER/S FOR THE MAINTENANCE, REPAIRS AND SUPPLY OF ASSOCIATED EQUIPMENT IN RELATION TO MEDIUM VOLTAGE EQUIPMENT ON ALL ERWAT SITES FOR A FIXED TERM PERIOD ON AN AS AND WHEN REQUIRED BASIS
Compulsory virtual briefing session date and time. Kindly register in advance to attend the briefing session.	THURSDAY, 17TH AUGUST 2023 AT 10:00 VIA ZOOM LINK: https://erwat-za.zoom.us/join/9103312320
Closing date	FRIDAY, 1ST SEPTEMBER 2023
Closing time and venue	12H00 noon at ERWAT Head Office, R25 Bapsfontein Road, Norkem Park
The successful bidder will be required to fill in and sign a written contract form (MBD7).	

Bidder Information	
Name of Bidding Company	
Company physical address	
Company postal address	
Contact details	Company Representative (Name):
	Telephone:
	Cell phone:
	E-mail address:
National Treasury Central Supplier Database number: (Compulsory)	MAAA
CIDB Grading CRS number	N/A
Vat registration number	
Tax Compliance status	TCS Pin:
Are you the accredited representative in South Africa for the goods/ services/ works offered? If yes, attach proof from the agency your company is accredited to represent	
Total number of items offered	
Total price (including VAT)	RATES BASED
SCM related enquiries:	Ms Brenda Matlala Brenda.matlala@erwat.co.za 011 9297000
Technical enquiries	Mr. Billy Hilder/_Mr Lehlohonolo Maneli Billy.Hilder@erwat.co.za / Lehlohonolo.maneli@erwat.co.za 011 929 7000

PART B
TERMS AND CONDITIONS FOR BIDDING

1. BID SUBMISSION:

- 1.1. BIDS MUST BE DELIVERED BY THE STIPULATED TIME TO THE CORRECT ADDRESS. LATE BIDS WILL NOT BE ACCEPTED FOR CONSIDERATION.
- 1.2. **ALL BIDS MUST BE SUBMITTED ON THE OFFICIAL FORMS PROVIDED–(NOT TO BE RE-TYPED) OR ONLINE**
- 1.3. THIS BID IS SUBJECT TO THE PREFERENTIAL PROCUREMENT POLICY FRAMEWORK ACT AND THE PREFERENTIAL PROCUREMENT REGULATIONS, 2022, THE GENERAL CONDITIONS OF CONTRACT (GCC) AND, IF APPLICABLE, ANY OTHER SPECIAL CONDITIONS OF CONTRACT.

2. TAX COMPLIANCE REQUIREMENTS

- 2.1 BIDDERS MUST ENSURE COMPLIANCE WITH THEIR TAX OBLIGATIONS.
- 2.2 BIDDERS ARE REQUIRED TO SUBMIT THEIR UNIQUE PERSONAL IDENTIFICATION NUMBER (PIN) ISSUED BY SARS TO ENABLE THE ORGAN OF STATE TO VIEW THE TAXPAYER'S PROFILE AND TAX STATUS.
- 2.3 APPLICATION FOR THE TAX COMPLIANCE STATUS (TCS) CERTIFICATE OR PIN MAY ALSO BE MADE VIA E-FILING. IN ORDER TO USE THIS PROVISION, TAXPAYERS WILL NEED TO REGISTER WITH SARS AS E-FILERS THROUGH THE WEBSITE WWW.SARS.GOV.ZA.
- 2.4 FOREIGN SUPPLIERS MUST COMPLETE THE PRE-AWARD QUESTIONNAIRE IN PART B:3.
- 2.5 BIDDERS MAY ALSO SUBMIT A PRINTED TCS CERTIFICATE TOGETHER WITH THE BID.
- 2.6 IN BIDS WHERE CONSORTIA / JOINT VENTURES / SUB-CONTRACTORS ARE INVOLVED, EACH PARTY MUST SUBMIT A SEPARATE TCS CERTIFICATE / PIN / CSD NUMBER.
- 2.7 WHERE NO TCS IS AVAILABLE BUT THE BIDDER IS REGISTERED ON THE CENTRAL SUPPLIER DATABASE (CSD), A CSD NUMBER MUST BE PROVIDED.

3. QUESTIONNAIRE TO BIDDING FOREIGN SUPPLIERS

- 3.1. IS THE ENTITY A RESIDENT OF THE REPUBLIC OF SOUTH AFRICA (RSA)? YES NO
- 3.2. DOES THE ENTITY HAVE A BRANCH IN THE RSA? YES NO
- 3.3. DOES THE ENTITY HAVE A PERMANENT ESTABLISHMENT IN THE RSA? YES NO
- 3.4. DOES THE ENTITY HAVE ANY SOURCE OF INCOME IN THE RSA? YES NO
- 3.5. IS THE ENTITY LIABLE IN THE RSA FOR ANY FORM OF TAXATION? YES NO

IF THE ANSWER IS "NO" TO ALL OF THE ABOVE, THEN IT IS NOT A REQUIREMENT TO REGISTER FOR A TAX COMPLIANCE STATUS SYSTEM PIN CODE FROM THE SOUTH AFRICAN REVENUE SERVICE (SARS) AND IF NOT REGISTER AS PER 2.3 ABOVE.

NB: Failure to provide any of the above particulars may result in your bid being disqualified.

Name & Surname of Representative: _____

Signature Of Bidder: _____

Capacity Under Which This Bid Is Signed: _____

Date: _____

NOTICE TO BIDDERS

1. VERY IMPORTANT NOTICE ON DISQUALIFICATIONS:

A bid not complying with the peremptory requirements stated hereunder will be regarded as not being an "Acceptable bid", and as such will be rejected.

"Acceptable bid" means any bid which, in all respects, complies with the conditions of bid and specifications as set out in the bid documents.

To ensure that your bid is not exposed to invalidation, documents are to be completed in accordance with the conditions and bid rules contained in the bid documents. The lowest or any bid will not necessarily be accepted, and ERWAT reserves the right not to consider any bid not or a bid not comprehensively completed as well as the right to accept a bid in whole or part. ERWAT reserves the right to appoint more than one bid for this contract.

2. A BID WILL BE REJECTED:

- If bidders are not compliant with all applicable legislative requirements, as per CSD. National Treasury in partnership with the Provincial Treasury have developed municipalities and municipal entities with a Central Supplier Database (CSD) for the registration of prospective suppliers in line with Section 14(1) (b) of the Municipal Supply Chain Management Regulations (MSCMR). (Tax compliance will be dealt with in terms of MFMA Circular No. 90)
- Non-compliance with the Value Added Tax Act, 1991; i.e. In terms of this Act, it is mandatory for any business to register for VAT if the income earned in any consecutive twelve (12) month period exceeds or is likely to exceed R 1 million. NB: Bidder/s failing to comply with this provision of the Value Added Tax Act, 1991 WILL NOT BE CONSIDERED, therefore rejected.
- Non-compliance with the Municipal Supply Chain Management Regulations, 2005; i.e. All sections affecting the evaluation of the bid must be indicated on the bid document and must be submitted and completed in full. All bidder's information must be accurate and correct.
- In the event of a failure to complete and sign in full the pricing schedule as required (unless indicated otherwise).
- In the event of there being scratching out, writing over or painting out rates or information, affecting the evaluation of the bid, without the authorised person initialling next to the amended rates or information. However, in cases where the total amount (aggregated) has not been affected, the bid will still be acceptable.
- In the event of the use of correction fluid (e.g., tippex), any erasable ink, or any erasable writing instrument (e.g., pencil). Bid documents to be completed in ink.
- If the Bid has not been properly signed by a person having the authority to do so. (Refer to Declaration).
- Where the recommended bidder is not tax compliant, the bidder should be notified of their non-compliant status and the bidder will be requested to submit to the municipal entity, within 7 working days. The bidder will be rejected if they fail to provide proof of tax compliance status within the 7 working days after recommendation.
- If the bidder attempts to influence or has in fact influenced the evaluation and/or awarding of the contract.
- If the bid has either been submitted in the wrong bid box or after the relevant closing date and time.
- If any municipal rates and taxes or municipal service charges owed by the bidder or any of its directors/members to the municipality or municipal entity, or to any other municipality or municipal

entity, are in arrears for more than three months (unless if the bidder has attached proof of the payment arrangement of the arrears to the bid document as at the closing date of the submission of bids).

- If any bidder who during the last five years has failed to perform satisfactorily on a previous contract with the municipality, municipal entity or any other organ of state after written notice was given to that bidder that performance was unsatisfactory.
- The accounting officer must ensure that irrespective of the procurement process followed, no award may be given to a person –
 - who is in the service of the state, or;
 - if that person is not a natural person, of which any director, manager, shareholder or stakeholder, is a person in the service of the state; or; who is an advisor or consultant contracted with the municipality in respect of contract that would cause a conflict of interest.
- If the bidder is not registered in the required CIDB contractor grading designation (category) or higher, if required in this bid documentation. (only applicable to construction projects)
- If the bidder or any of its directors is listed on the Register of Bid Defaulters in terms of the Prevention and Combating of Corrupt Activities Act of 2004 as a person prohibited from doing business with the public sector.
- If more than one (1) company quotes and the Director/s are the same Person/s and the companies fail to disclose this in the MBD4; the bids will be rejected as a result of Anti-Competitive Behaviour.
- **NO BIDS WILL BE CONSIDERED FROM PERSONS IN THE SERVICE OF THE STATE (as defined in Regulation 44 of the Local Government: Municipal Supply Chain Management Regulations).**
- If the bidder has failed to submit ALL required documents as specified on the bid document.
- If the following have not been fully completed and signed:
 - MBD 1 - General Declaration
 - MBD 3.2 – Pricing schedule (non-firm prices) (where applicable)
 - MBD 4 - Declaration of Interest
 - MBD 5 – Declaration for submission of Annual financial statements for purchases above R10 million (where applicable)
 - MBD 6.1 – Preference points claim form in terms of the Preferential Procurement Regulations 2022
 - MBD 7.1 – Contract Form: Procurement of Goods/Works
 - MBD 8 - Declaration of bidder's past supply chain management practices
 - MBD 9 - Certificate of Independent Bid Determination
- If any pages have been removed from the bid document, and have therefore not been submitted, or a copy of the original bid document has been submitted (all signatures to be original on each page).
- If the bidder fails to achieve the minimum score in terms of the functionality evaluation.

3. EVALUATION PROCESS AND CRITERIA

All bids will be evaluated in the following three phases:

3.1 Phase I: Initial screening process

In terms of National Treasury Instruction No. 4A of 2016/2017 regarding the National Central Supplier Database (CSD), all bidders must register on the CSD to provide the following information to be verified through the CSD:

- a) Business registration, including details of directorship and membership;
- b) Bank Account holder information;
- c) In the service of the State status;
- d) Identity number;
- e) Tender default and restriction status;
- f) Any additional and supplementary verification information communicated by National Treasury.
- g) An administrative evaluation will be carried out on all the bids received based on the under mentioned documentation:
- h) Proof of company Central Supplier Database Registration (CSD).

The following information will be verified with the returnable schedule:

- a. Submission of a valid SARS pin to validate Tax compliance status;
- b. Valid rates and taxes account not older than 3 months and not in arrears for more than 90 days. The rates and taxes accounts of a bidder as an entity must be in the name of the company. In the event that the bidding entity is renting the premises, a signed valid lease agreement must be submitted. The rates and taxes of a sole proprietor must be in the name of the individual bidder.
- c. Fully completed and signed MBD forms as provided for in the returnable schedule.
- d. In case of Joint Venture, Consortium, Trust, or Partnership a Valid Tax Clearance Certificate and/or SARS issued pin code (which will be verified) for both companies must be submitted.
- e. In case of Joint Venture, Consortium, Trust, or Partnership, a signed teaming agreement must be submitted.

FAILURE TO ADHERE TO THE CONDITION WILL LEAD TO THE BID BEING INVALIDATED.

3.2 Phase II: Functionality evaluation as per attached Terms of Reference:

- a) Bids will be evaluated strictly according to the bid evaluation criteria stipulated in the terms of reference.
- b) Bidders must, as part of their bid documents, submit supportive documentation for all technical requirements as indicated hereunder. The panel responsible for scoring the respective bids will evaluate and score all bids based on their submissions and the information provided.
- c) Bidders will not rate themselves but need to ensure that all information is supplied as required. The Bid Evaluation Committee (BEC) will evaluate and score all responsive bids and will verify all documents submitted by the bidders.
- d) The panel members will individually evaluate the responses received against the following criteria as set out below:
 - (i) Evaluation Criteria as stipulated in the tender document
- e) Any proposal not meeting a minimum score on functionality proposal will be disqualified and the financial proposal will not be considered.

3.3 Phase III: Price/Financial stage and Specific goals:

- a) Price/ Financial proposals must be submitted in South African Rand.
- b) Evidence required to claim for specific goals will include, but not limited to CK document, Full CSD report, ID documents of company owners, MKVA force number, Municipal account/ lease agreement and Proof of disability issued by medical doctor. Kindly refer to the MBD 6.1 document for specific goals.
- c) ERWAT reserves the right to verify the documents submitted as evidence.
- d) ERWAT reserves the right to negotiate rates submitted by bidders.

4. LEGISLATIVE AND REGULATORY FRAMEWORK

This bid and all contracts emanating there from will be subject to the General Conditions of Contract issued in accordance with of the Treasury Regulations 16A published in terms of the Municipal Finance Management Act (ACT 56 OF 2003).

The Special Conditions of Contract are supplementary to that of the General Conditions of Contract. In the event of any contradiction between the GCC or any other applicable contractual agreement, the Municipal Financial Management Act and its applicable regulations will take precedence.

5. JOINT VENTURES, TRUSTS OR CONSORTIUM

A trust, consortium or joint venture, will be able to claim for points for their specific goals provided that the entity submits a valid signed agreement.

The information will be verified in accordance with the bidders B-BBEE certificate, and or a certificate from the companies and intellectual property commission (CIPC), the department of Military Veterans and or other supporting documents. All supporting evidence must be submitted in order to claim the preferential procurement points claimed. ERWAT reserves the right to verify the information submitted.

In the case of multi-parties (Joint ventures, consortiums, partnerships, etc.), allocation of points will be calculated by adding the individual parties in the JV, etc. ownership % together; divide the total by the number of parties in the respective joint ventures, consortiums, partnerships, etc. The average % will thus be the indicating factor for the number of points to be scored limited to the maximum available points.

Bidders must submit concrete proof of the existence of joint ventures and/or consortium arrangements. ERWAT will accept signed agreements as acceptable proof of the existence of a joint venture and/or consortium arrangement.

The joint venture and/or consortium agreements must clearly set out the roles and responsibilities of the Lead Partner and the joint venture and/or consortium party. The agreement must also clearly identify the Lead Partner, with the power of attorney to bind the other party/parties in respect of matters pertaining to the joint venture and/or consortium arrangement.

6. TAX COMPLIANCE STATUS

The designated ERWAT official(s) will verify the tax compliance status prior to the finalisation of the award of the bid or price quotation.

Where the recommended bidder is not tax compliant, the bidder will be notified of their non-compliant status and the bidder will be requested to submit to the municipal entity, within 7 working days, written proof from SARS of their tax compliance status or proof from SARS that they have made an arrangement to meet their outstanding tax obligations.

The proof of tax compliance status submitted by the bidder to the municipal entity will be verified via the CSD or e-Filing. The accounting officer will reject a bid submitted by the bidder if such a bidder fails to provide proof of tax compliance status within the timeframe stated above.

Where a supplier does not submit a tax compliance status PIN but provides a CSD number, ERWAT will utilise the CSD number via its website www.csd.gov.za to access the supplier records and verify tax compliance status. A printed screen view at the time of verification will be attached to the suppliers' records for audit purposes.

Where goods and services are procured from foreign suppliers with tax obligations in South Africa, proof of tax compliance status will be obtained from the supplier.

Foreign suppliers with neither South African tax obligations nor history of doing business in South Africa must complete a pre-award questionnaire on the MBD 1 for their tax obligation categorisation. Where a recommendation for award of a bid has been made to a bidder who is a foreign supplier and who completed the pre-award questionnaire on the MBD 1, ERWAT will submit a copy of the completed MBD 1 received from the bidder to SARS on the following email address:

GovernmentInstitute@sars.gov.za. SARS will issue a letter to the procuring entity confirming whether or not the foreign supplier has tax obligations in South Africa.

Where goods and services are procured from foreign suppliers with no tax obligation in South Africa, there is no need to request proof of tax compliance status.

Where goods and services are imported, all custom related taxes shall be applied as prescribed by SARS.

7. VALUE ADDED TAX

All bid prices must be inclusive of 15% Value-Added Tax where applicable.

8. CLIENT BASE

ERWAT reserves the right to contact references during the evaluation and adjudication process to obtain information. In the event that a bidder is found to have submitted falsified documents during the bid evaluation/award phase the bidder will be disqualified and will not be considered for any further tenders submitted.

9. LEGAL IMPLICATIONS

Successful service providers will enter into a service level agreement with ERWAT. In the event that the provisions contradict each other between the tender document and service level agreement, the tender document will take precedence.

10. COMMUNICATION

ERWAT may communicate with bidders for, among others, where bid clarity is sought, to obtain information or to extend the validity period. Any communication either by facsimile, letter or electronic mail or any other form of correspondence to any ERWAT official, department or representative of a testing institution or a person acting in an advisory capacity for ERWAT in respect of this bid, between the closing date and the award of the bid by the bidder is strictly prohibited.

11. ATTENDANCE OF ERWAT BRIEFING SESSIONS

Bidders must take note of the provisions for site/briefing sessions as advertised in the media, ERWAT website and or on the e-tender portal.

In the event that a compulsory briefing session will be conducted, bidders must attend the session either on site or via zoom platform as indicated in the bid document and advertisement. Bidders will be given a link on the advert and tender document to register prior to the briefing session. On the day of the briefing session, bidders must log onto the link to attend. The zoom platform keeps record of bidders registered and in attendance.

Documents will only be accepted from bidders whose names appear on the attendance register. Failure to attend the compulsory briefing sessions whose names do not appear on the register, will render the bidder's submission invalid and will not be considered for evaluation.

Kindly note that the company representative that attends this session will be accepted as a person with the relevant technical expertise applicable to this bid.

Bidders are encouraged to collect bidding documents before the briefing session to allow them sufficient time to peruse the scope so that any queries can be dealt with at the briefing session. Bidders will be allowed 10 days from the date of the compulsory briefing session to direct further queries to the SCM department per e-mail. An addendum will be sent to the attending bidders with clarity on questions raised during these 10 days. A copy of the minutes and attendance register will be attached thereto for ease reference.

12. LATE BIDS

Bids received at the address indicated in the bid documents, after the closing date and time, will not be accepted for consideration and where applicable, be returned unopened to the bidder.

13. COUNTER CONDITIONS

Bidders' attention is drawn to the fact that amendments to any of the Special Conditions by bidders will result in such bids being disqualified.

14. PROHIBITION OF RESTRICTIVE PRACTICES

a) In terms of section 4(1) of the Competition Act No. 89 of 1998, as amended, an agreement between, or concerted practice by, firms, or a decision by an association of firms, is prohibited if it is between parties in a horizontal relationship and if a bidder(s) is/ are or a contractor(s) was/were involved in:

- directly or indirectly fixing a purchase or selling price or any other trading condition;
- dividing markets by allocating customers, suppliers, territories or specific types of goods or services; or
- collusive bidding.

b) If a bidder(s) or contractor(s), in the judgment of the purchaser, has/have engaged in any of the restrictive practices referred to above, the purchaser may, without prejudice to any other remedy provided for, invalidate the bid(s) for such item(s) offered or terminate the contract in whole or in part and refer the matter to the Competition Commission for investigation and possible imposition of administrative penalties as contemplated in the Competition Act No. 89 of 1998.

15. FRONTING

ERWAT supports the spirit of broad based black economic empowerment and recognizes that real empowerment can only be achieved through individuals and businesses conducting themselves in accordance with the Constitution and in an honest, fair, equitable, transparent and legally compliant manner. Against this background ERWAT condemns any form of fronting.

ERWAT, in ensuring that bidders conduct themselves in an honest manner will, as part of the bid evaluation processes, conduct or initiate the necessary enquiries/investigations to determine the accuracy of the representation made in bid documents. Should any of the fronting indicators as contained in the Guidelines on Complex Structures and Transactions and Fronting issued by the Department of Trade and Industry, established during such enquiry/investigation, the onus will be on the bidder contractor to prove that fronting does not exist. Failure to do so within a period of 14 days from date of notification may invalidate the bid/contract and may also result in the restriction of the bidder/contractor to conduct business with the public sector for a period not exceeding ten years, in addition to any other remedies the National Treasury may have against the bidder/contractor concerned.

16. PRESENTATION, PLANT, EQUIPMENT, SITE OR WORKSHOP INSPECTIONS

ERWAT may require presentations/interviews from short-listed bidders as part of the bid process.

ERWAT reserves the right to inspect the bidder's premises, workshop or plant and equipment during the bid evaluation phase at a predetermined date and time.

17. ERWAT GENERAL NOTES:

ERWAT reserves the right to award the bid to one or more than one bidder.

- The number of bidders that will be appointed and the allocation of activities or items per bidder will be at ERWATs discretion.

- The lowest bidding price will not necessarily be accepted and ERWAT reserves the right to determine market related rate to be offered to the successful bidders.
- The rates of the highest scoring bidder (subject to market related rate), will be offered to the bidders ranking 2nd, 3rd and or 4th subject to ERWATs discretion.

Appointed bidders and their personnel will be required to but not limited to:

- Attend site induction training before any work can be undertaken.
- Request and receive all the relevant work permits/access control and authorizations have to be obtained before any work can be undertaken after approval of the Safety and Health Plan.
- The relevant requirement with regards to the Occupational Health and safety act has to be complied with, with particular reference to the safety file in accordance with the relevant commodity and scope of work items covered by this document taking into consideration that the most current regulation will always take precedence.
- Submit proof that all the required equipment, tools, consumables, etc. required to perform the work as per the Contract shall be provided by the Contractor/Service provider.
- ERWAT reserves the right to hold the Contractor/Service provider responsible for any equipment /infrastructure belonging to ERWAT that may be damaged due to Contractor's/Service provider's negligence or poor workmanship.

18. **PENALTIES – DELIVERY**

The Contractor will be penalised in terms of Clause 22 of the National Treasury General Conditions of Contract attached hereto in Section 3.

19. **CONTRACT DOCUMENT**

The contract document to be used for this tender will be the ERWAT standard SLA (Service Level Agreement) which will be the binding contract between ERWAT and the successful bidder. Reference will be made to the successful bidder's tender document.

20. **PAYMENTS**

- (a) All payments will be discussed and agreed upon on the SLA.
- (b) Standard payment terms are 30 Days from receipt of valid invoice/tax invoice and statement.

ERWAT will not accept any responsibility for the payment of any invoices submitted by a successful bidder(s) if the relevant invoice does not reflect an official ERWAT order number.

All invoices/tax invoices and statements must comply with the **VAT Act No 89 of 1991** before payment can be effected. Any penalties incurred by ERWAT from SARS in relation to any VAT issues in connection with the invoice will be for the account of the service provider.

21. **DISCLAIMER – WITHOUT PREJUDICE**

While every effort is made to ensure that specifications are drafted in an unbiased manner to allow all potential suppliers to offer their goods or services as set in Regulation 27 of the MFMA Act - SCM Regulations, ERWAT assumes no liability or responsibility for the completeness, accuracy or usefulness of any of the information.

However, in the event that reference is made (intentional or non-intentional) to a particular trade mark, name, patent, design, type, specific origin or producer, ERWAT's intent is of such that there is no other sufficiently precise or intelligible way of describing the characteristics of the works/goods/services

required, in which case the bidder must interpret such reference as indicative only and is thus required to offer such and or an equivalent.

Any reference to any of the above potential trade barriers must be seen to include the word “equivalent”.

Bidders may submit alternative offers subject to such meeting all the minimum standards, specifications, technical data and or legislative provisions applicable to such.

ERWAT does however reserve the right to scrutinise any alternative offers but is under no obligation to accept or award on any alternative offer submitted.

22. CONFIDENTIALITY

Over and above the provisions of the general conditions the following will apply. In the process of representing the ERWAT in any matter the Bidder will have access to sensitive and confidential information. All information accessed, obtained or collected by Bidder and/or its employees must at all times be kept confidential and not be disclosed to any other person without the prior and written authorisation of the ERWAT.

In addition, information may not be used for personal gain by the Bidder or the Bidder’s business, any employee, sub-contractor or any agent of the Bidder or any other person, body or organisation, or family receiving the information or data through the Bidder, or any of their employees or agents.

Failure to observe these conditions will constitute a breach of contract, which could result in termination of this contract

23. PROMOTION OF ACCESS TO INFORMATION ACT, ACT 2 OF 2000

Bidder will be required to fully comply with the requirements of the Access to Information Act, Act 2 of 2000.

In terms of the Promotion of Access to Information Act, Act 2 of 2000, ERWAT is obliged and compelled to provide certain information to the general public.

The Bidder as part of his/her function in collecting data on behalf of ERWAT will be required to comply with the provisions of the Promotion of Access to Information Act, Act 2 of 2000.

The extent where to a bidder will be obliged to supply or refuse the supply of information in terms of the Act will be determined in consultation with ERWAT.

24. EXTRACTION OF AND DESTROYING OF DATA

Bidders are required to submit to ERWAT all data in a readable, accessible format at the end of their contract.

Bidders will be required to keep records of such data for a minimum period of 6 months where after such must be destroyed and proof thereof submitted to ERWAT.

25. CONTACT DETAILS

ERWAT Supply Chain Management
Hartebeestfontein Office Park
Bapsfontein/ Bronkhorstspuit Road
Norkem Park

For SCM/ general enquiries:

Phumzile.mdlalose@erwat.co.za

Brenda.matlala@erwat.co.za

For technical enquiries:

Billy.Hilder@erwat.co.za / Lehlohonolo.maneli@erwat.co.za



EKURHULENI WATER CARE COMPANY

PUBLISH DATE: TUESDAY, 1ST AUGUST 2023

SCOPE OF WORK

ERW2303/02: APPOINTMENT OF SERVICE PROVIDER/S FOR THE MAINTENANCE, REPAIRS AND SUPPLY OF ASSOCIATED EQUIPMENT IN RELATION TO MEDIUM VOLTAGE EQUIPMENT ON ALL ERWAT SITES FOR A FIXED TERM PERIOD, ON AN AS AND WHEN REQUIRED BASIS

Table of Contents

1. INTRODUCTION	15
2. BACKGROUND	15
3. SCOPE OF WORK	15
4. PROJECT MANAGEMENT AND CONTRACTING AUTHORITY	32
5. REPORTING REQUIREMENTS	32
6. SUBMISSION REQUIREMENTS	32
7. EVALUATION CRITERIA	33
8. MANDATORY REQUIREMENTS	33
8. FUNCTIONALITY EVALUATION CRITERIA/WORKSHOP/SITE EVALUATION	35
9. PRICING SCHEDULE	38
10. SPECIAL CONDITIONS OF CONTRACT	50
11. RETURNABLE SCHEDULE	53
12. GENERAL CONDITIONS OF CONTRACT	75
13. DRAFT SERVICE LEVEL AGREEMENT	89
14. DRAFT PERFORMANCE EVALUATION MANAGEMENT DOCUMENT	103

SCOPE OF WORK: ERW2303/02: APPOINTMENT OF SERVICE PROVIDER/S FOR THE MAINTENANCE, REPAIRS AND SUPPLY OF ASSOCIATED EQUIPMENT IN RELATION TO MEDIUM VOLTAGE EQUIPMENT ON ALL ERWAT SITES FOR A FIXED TERM PERIOD

1. INTRODUCTION

Suitably qualified, experienced and registered service providers are hereby invited to tender for the maintenance, repairs and supply of associated equipment in relation to Medium Voltage equipment on all ERWAT sites for a Maximum period of thirty-six (36) months limited to three (3) financial periods as determined by the Municipal Finance Management Act (MFMA) on an as and when required basis.

2. BACKGROUND

The Ekurhuleni Water Care Company (ERWAT) is responsible for the treatment of wastewater from domestic and industrial sources emanating within the City of Ekurhuleni. ERWAT water care works are designed to operate continuously (24 Hours/day). ERWAT requires the services of a service provider/s to repair, Maintain and supply of associated equipment in relation to Medium Voltage equipment and on as and when required basis. The items mentioned are critical in the operation of ERWAT and therefore need qualified and experienced service provider/s.

3. SCOPE OF WORK

The Maintenance Servicing and Repairs of, all types, sizes and models of Medium Voltage Switchgear, Mini Subs and Transformers including all and any auxiliary equipment and devices. The details of the equipment distributed throughout the ERWAT plants are as follows:

The plants have four drainage districts (DD), namely , **DD3, DD4, DD5 & DD6.**

3.1. Drainage Districts

3.1.1. DD3 Region equipment

A. ERWAT Olifantsfontein WCW - Ceramic Road Olifantsfontein.

1. Olifantsfontein Main Supply MV Substation

- a. Feeder no 1
- b. Main Incomer
- c. Spare feeder
- d. Power factor Correction feeder
- e. Feeder no 2

2. Olifantsfontein Number 2A MV Substation Module 2

- a. Ring Main Unit no 1
- b. Ring Main Unit no 2
- c. Battery Tripping Unit

3. Olifantsfontein Number 2A MV Transformer Room Module 2

- a. Transformer no 1
- b. Transformer no 2

4. Olifantsfontein Number 5 MV Substation Module 3

- a. Main Incomer
- b. Transformer Feeder no 1
- c. Transformer Feeder no 2
- d. Battery Tripping Unit

5. Olifantsfontein Number 5 MV Transformer Room Module 3

- a. Transformer no 1
- b. Transformer no 2

6. Olifantsfontein Mini Sub no 3

- a. Ring Main Feeder
- b. Ring Main Transformer

7. Olifantsfontein No 1 MV Substation Module 1

- a. Ring Main Unit no 1
- b. Battery Tripping Unit

8. Olifantsfontein No 1 MV Transformer room Module 1

- a. Transformer no 1
- b. Transformer no 2

9. Olifantsfontein Mini Sub no 4

- a. Ring Main Feeder
- b. Ring Main Transformer

B. Erwat Hartebeestfontein WCW - Bapsfontein Road, Kempton Park.

1. Hartebeestfontein Main Supply Ring main Unit at EMM Substation

- a. Ring Main Unit no 1

2. Hartebeestfontein Head Office Building Mini Sub

- a. Ring Main Feeder
- b. Ring Main Transformer

3. Hartebeestfontein Boiler Substation

- a. Ring Main Unit no 1

4. Hartebeestfontein Boiler Transformer Room

- a. Transformer no 1

5. Hartebeestfontein Salvage Plant Mini Sub

- a. Ring Main Feeder
- b. Ring Main Transformer

6. Hartebeestfontein Module 3&4 MV Substation

- a. Main Incomer
- b. Transformer Feeder no 1
- c. Transformer Feeder no 2
- d. Battery Tripping Unit

7. Hartebeestfontein Module 3&4 Transformer Room

- a. Transformer no 1
- b. Transformer no 2

8. Hartebeestfontein Module 1 MV Substation

- a. Main Incomer
- b. Transformer Feeder no 1
- c. Transformer Feeder no 2
- d. Battery Tripping Unit

9. Hartebeestfontein Module 1 Transformer Room

- a. Transformer no 1
- b. Transformer no 2

3.1.2. DD4 Region equipment

A. ERWAT J.P. Marais WCW - Conner N12 and Kingsway Road

1. J.P. Marais no 1 Mini Sub

- a. Ring Main Feeder
- b. Ring Main Transformer

2. J.P. Marais MV Substation No 1

- a. Feeder no 1
- b. Feeder no 2
- c. Transformer Feeder no 1
- d. Transformer Feeder no 1
- e. Battery Tripping Unit

3. J.P. Marais MV Transformer no 1

- a. Transformer no 1
- b. Transformer no 2

4. J.P. Marais Mini Sub no 2

- a. Ring Main Feeder
- b. Ring Main Transformer

B. ERWAT Welgedacht WCW - Carnation Road, Welgedacht AH, Springs.

1. Welgedacht Main Supply MV Substation Module 1

- a. Eskom Feeder no 1
- b. Feeder no 1
- c. Bus Coupler
- d. Feeder no 2
- e. Eskom Feeder no 2
- f. Battery Tripping Unit

2. Welgedacht Incomer RMU 22KV Module 2

- a. Ring Main Feeder

3. Welgedacht 22KV substation Module 2

- a. Incomer no 1
- b. Transformer Feeder no 1
- c. Incomer no 2
- d. Transformer Feeder no 2

- e. Bus Coupler
- f. Battery Tripping Unit

4. Welgedacht 11KV substation Module 2

- a. Incomer no 1
- b. Feeder no 1
- c. PFC Feeder no 1
- d. PFC no 1
- e. Incomer no 2
- f. Feeder no 2
- g. PFC Feeder no 2
- h. PFC no 2
- i. Bus Coupler
- j. Battery Tripping Unit

5. Welgedacht Number Belt Press Mini-sub Module 1

- a. Ring Main Feeder
- b. Ring Main Transformer

6. Welgedacht Chlorine dosing Mini-sub Module 2

- a. Ring Main Feeder
- b. Ring Main Transformer

7. Welgedacht Mini sub Was/Clarifier Module 2

- a. Ring Main Feeder
- b. Ring Main Transformer

8. Welgedacht RMU Reactor B Module 2

- a. Ring Main Unit

9. Welgedacht RMU Reactor B Transformer Module 2

- a. Transformer no 1

10. Welgedacht RMU Reactor A Module 2

- a. Ring Main Unit

11. Welgedacht RMU Reactor A Transformer Module 2

- a. Transformer no 1

12. Welgedacht Primary Plant Mini-sub Module 2

- a. Ring Main Feeder
- b. Ring Main Transformer

13. Welgedacht Inlet Works Mini-sub Module 2

- a. Ring Main Feeder
- b. Ring Main Transformer

14. Welgedacht Number Inlet works Mini-sub Module 1

- a. Ring Main Feeder
- b. Ring Main Transformer

15. Welgedacht Reactors MV Substation Module 1

- a. Feeder no 1
- b. Transformer Feeder no 1
- c. Bus Coupler
- d. Transformer Feeder no 2
- e. Feeder no 2
- f. Battery Tripping Unit

16. Welgedacht Reactors MV Transformer Room Module 1

- a. Transformer no 1
- b. Transformer no 2

3.1.3. DD5 Region equipment

A. ERWAT Heidelberg WCW - Vaal Dam Rd Heidelberg.

1. Heidelberg Mini Sub

- a. Ring Main Feeder
- b. Ring Main Transformer

B. ERWAT Ratanda WCW - Vaal Dam rd Ratanda.

1. Ratanda Mini-Sub

- a. Ring Main Feeder
- b. Ring Main Transformer

3.1.4. DD6 Region equipment

A. ERWAT Dekema WCW - Brickfield Road, Motasami Section, Katlehong.

1. Dekema Main Supply MV Substation

- a. Feeder no 1
- b. Main Incomer
- c. Feeder no 2
- d. Transformer Feeder no 1
- e. Battery Tripping Unit

2. Dekema Transformer Room no 1

- a. Transformer no 1

3. Dekema Transformer Room no 2

- a. Transformer no 1

B. ERWAT Waterval WCW - Meadow Road, Kliprivier.

1. Waterval Main Supply MV Substation

- a. Feeder no 1
- b. Feeder no 2
- c. Main Incomer
- d. Feeder no 3
- e. Feeder no 4
- f. Feeder no 5
- g. Feeder no 6
- h. Feeder no 7
- i. Feeder no 8
- j. Feeder no 9
- k. Power Factor Bank no 1
- l. Power Factor Bank no 2
- m. Battery Tripping Unit

2. Waterval MV Substation No 1

- a. Transformer Feeder no 1
- b. Transformer Feeder no 2
- c. Main Incomer
- d. Feeder no 1
- e. Feeder no 2

3. Waterval MV Substation No 1 Transformer Room

- a. Transformer no 1

4. Waterval MV Substation No 5 Transformer Room

- a. Transformer no 1

5. Waterval MV Substation No 2

- a. Transformer Feeder no 1
- b. Feeder no 1
- c. Transformer Feeder no 2
- d. Feeder no 2
- e. Feeder no 3

6. Waterval MV Substation No 2 Transformer Room

- f. Transformer no 1
- g. Transformer no 2

7. Waterval MV Substation No 6

- a. Transformer Feeder no 1
- b. Feeder no 1
- c. Bus Coupler
- d. Feeder no 2
- e. Transformer Feeder no 2

8. Waterval MV Substation No 6 Transformer Room

- a. Transformer no 1
- b. Transformer no 2

9. Waterval MV Substation No 4A

- a. Feeder no 1
- b. Transformer Feeder no 1
- c. Feeder no 2

10. Waterval MV Substation No 4A Transformer Room

- a. Transformer no 1

11. Waterval Inlet Works Mod 1,2,3 Mini Sub

- a. Ring Main Feeder
- b. Ring Main Transformer

12. Waterval Mini Inlet Works Mod 4 Mini Sub

- a. Ring Main Feeder
- b. Ring Main Transformer

13. Waterval MV Substation Reactor B Module 4

- a. Ring Main Unit

14. Waterval MV Substation Reactor B Module 4 Transformer Room

- a. Transformer no 1

15. Waterval MV Substation Reactor A Module 4

- a. Ring Main Unit

16. Waterval MV Substation Reactor A Module 4 Transformer Room

- a. Transformer no 1

17. Waterval Ras Was Mod 4 Mini Sub

- a. Ring Main Feeder
- b. Ring Main Transformer

18. Waterval Sub Standard Mod 4 Mini Sub

- a. Ring Main Feeder
- b. Ring Main Transformer

19. Waterval Sub Daf Mod 4 Mini Sub

- a. Ring Main Feeder
- b. Ring Main Transformer

20. Dewatering Press Mini Sub

- a. Ring Main Feeder
- b. Ring Main Transformer

21. Boiler Mini Sub

- a. Ring Main Feeder
- b. Ring Main Transformer

C. Vlakplaats WCW - Brickfield Rd Vosloorus Germiston

1. Vlakplaats Module 1 Mini-Sub

- a. Ring Main Feeder
- b. Ring Main Transformer

2. Vlakplaats MV Substation 36 Module 2

- a. Feeder no 1
- b. Main Incomer
- c. Transformer Feeder no 1
- d. Transformer no 1
- e. Battery Tripping Unit

3. Vlakplaats Module 3 Mini Sub

- a. Ring Main Feeder
- b. Ring Main Transformer

4. Vlakplaats MV Substation Module 4

- a. Feeder no 1
- b. Feeder no 2
- c. Feeder no 3
- d. Feeder no 4
- e. Feeder no 5
- f. Feeder no 6
- g. Feeder no 7
- h. Feeder no 8
- i. Transformer no 1
- j. Transformer no 2
- k. Transformer no 3

5. Vlakplaats Irrigation Mini Sub

- a. Ring Main Feeder
- b. Ring Main Transformer

6. Vlakplaats Sludge lands Mini Sub

- a. Ring Main Feeder
- b. Ring Main Transformer

3.2. **General requirements**

- a. Site induction training has to be completed before any work can be undertaken.
- b. Supplier must comply too the ERWAT Permit to Work and Safe operation and maintenance procedure for medium voltage systems.
- c. All the relevant work permits and authorization has to be obtained before any work can be under taken.
- d. Minimum of two medium voltage electricians is required with their own tools, vehicles and an assistant for each. Each electrician must have an Arc flash switching suit and every one that comes to site must ware Arc flash clothing. Refer to Equipment and tools requirements.
- e. All work done and equipment supplied has to be in accordance with the applicable SANS code as listed in this document.
- f. The requirement as listed in this document with regards to the Occupational Health and safety act has to be complied with, with particular reference to the safety file in accordance with the construction regulation.
- g. No work shall be undertaken without an official order or written confirmation via e-mail in case of an emergency from the designated ERWAT representative.
- h. No repairs or modifications may be undertaken without a written quote submitted and written approval from the designated ERWAT representative.
- i. In the event that repairs and or materials are required that is not covered by this contract the supplier must inform ERWAT in the form of a detailed written report that includes a costed proposal to address the requirement.
- j. No equipment may be removed from site without written permission from the relevant plant manager.
- k. The installation of any equipment, new, repaired or refurbished shall include the putting back into operation, testing, special testing (if required) and adjustments on the equipment.
- l. A project and quality control plan will be required for any manufacturing, repairing, refurbishing and installation of equipment.
- m. In cases whereby the services of subcontractors are utilized, the supplier shall ensure that the repairs and or installation have been performed as per the original equipment manufacturer (OEM's) recommendation. The supplier shall remain accountable for the repairs and or installation of the equipment for the duration of the WARRANTY.
- n. All the required tools, consumables, testing facilities, and other requirements to perform the work as per the Contract shall be provided by the supplier.
- o. ERWAT reserves the right to hold supplier responsible for any equipment that will be damaged due to supplier's negligence or poor workmanship.
- p. The supplier shall be responsible for gathering any information regarding the maintenance servicing and repairs of equipment if the information is not available from ERWAT. This information must be shared with ERWAT in an electronic and hardcopy format.
- q. Only genuine parts from suppliers will be accepted, except in the event that the relevant supplier confirms in writing that these are approved parts or components.
- r. If no parts are available, the supplier must submit a detailed written report that includes a costed proposal to address the requirement.
- s. All consumables will be included where required.
- t. Preferred service providers will be audited prior to the confirmation of the award of this contract in accordance to the evaluation included in this document as part of the functionality.
- u. Suppliers are to note that ERWAT reserves the right to award this Contract to more than one Service Provider.
- v. The Suppliers is expected to avail him/herself 24 Hours a day seven days a week, including Holidays for callouts in terms of emergency work required.
- w. The supplier must have contact person available 24 Hours, seven days a week with a response time of four (4) hours for a team to be on the required sites.

3.3. Testing Mineral oil sample for Transformer and Switchgear required tests

American Society for Testing and Materials (ASTM)

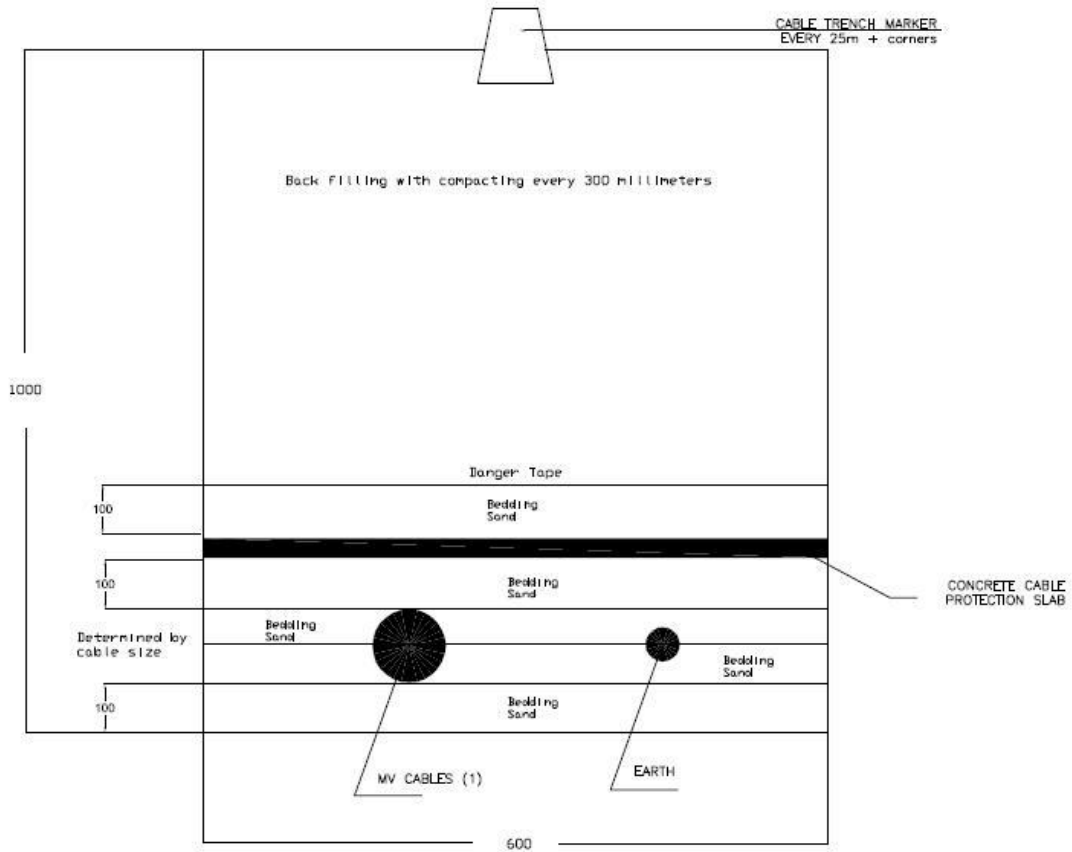
Test Type	ASTM Test Method
Interfacial Tension - IFT	D 791
Neutralization - Acid Number	D 974
Oil Moisture Content	D 1533
Power Factor	D 924
Dielectric Breakdown Voltage	D 877 / D 1816
Dissolved Gas Analysis-DGA	D 3612
Oil Colour and Visual:	D 1500
Polychlorinated biphenyl PCB	D 4059

3.4. Cable and cable installations specifications

1. All XLPE cables supplied shall be in accordance with SANS 1339:2015
2. Cable installation trench and cable installations is detailed by drawing 001-MV-02-11-001 below.
3. Bedding sand must be sourced from a virgin site or licensed quarry that has not previously been used for industrial or similar purposes.
4. Bedding materials shall be finely divided and stone free where no less than 95% by mass shall pass through a 2.36 mm mesh sieve with 100% by mass passing through a 4.75 mm mesh sieve.
5. Concrete slabs must be precast walling panels 300 mm by 1440 mm laid in two rows next to each other to cover the 600 mm wide trench.
6. Lugs shall be crimped to cable core ends using hydraulic tools designed for this purpose. Evidence may be requested that the crimping method used complies with the performance requirements of; BS EN 61238-1:2003 - Specification for performance of mechanical and compression joints in electric cable and wire connectors.
7. The internal radius of a bend in a cable shall not be less than 12 times the overall diameter of the cable.
8. Where cable clamps are used, they shall be of non-combustible material and shall be of the correct size for the cable.
9. All cables shall be marked at both ends and at all joints by means of non-corroding metal bands with punched or embossed numbers.
10. All cable entries into buildings shall be vermin proof after installation.
11. Cable ends shall be terminated in approved cable glands to ensure a moisture proof connection between the outer sheath, gland and equipment.
12. Cable glands shall be of the type in which the armouring is clamped between tapered cones, tightened down and fitted to a cable gland plate or equipment housing by means of lock nuts.
13. Neoprene shroud shall cover the gland externally and form an effective seal with the outer sheath of the cable.
14. All cable joints and terminations have to be Raychem, Sigmaform, 3M or equivalent kits to be used on MV cables with SABS approval.
15. Cable markers have to be installed every 50 meters and at every change of direction in the cable route.
16. Cable size and direction has to be indicated on the cable maker by means of a punched aluminium plate.
17. The cable route markers have to be supplied in accordance with drawing below.
18. Information plate on the cable route marker must include the following; Cable voltage rating (without unit) followed by a forward slash (/), Three digit cable size (e.g. **050** or **185**), . Conductor material **CU** for copper and **AL** for aluminium, followed by a forward slash (/), Depth cable is buried in millimetres.
19. A directional arrow has to be included on the cable marker information plate.
20. All cables have to be supported and secured to ensure that there is not stress or tension on the cables.
21. Adequate precautions should be taken not to damage any existing cable(s), pipes or any other such installations during excavation when required.

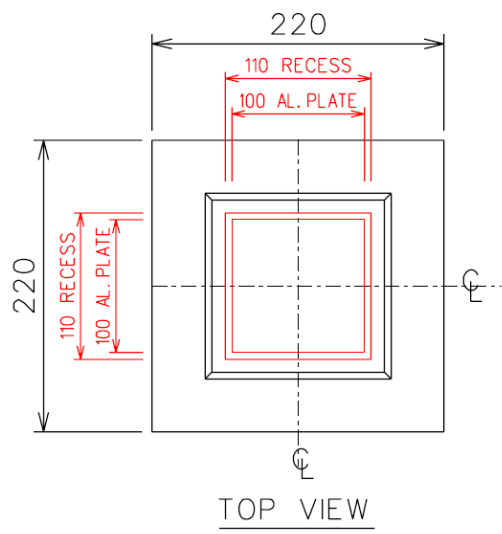
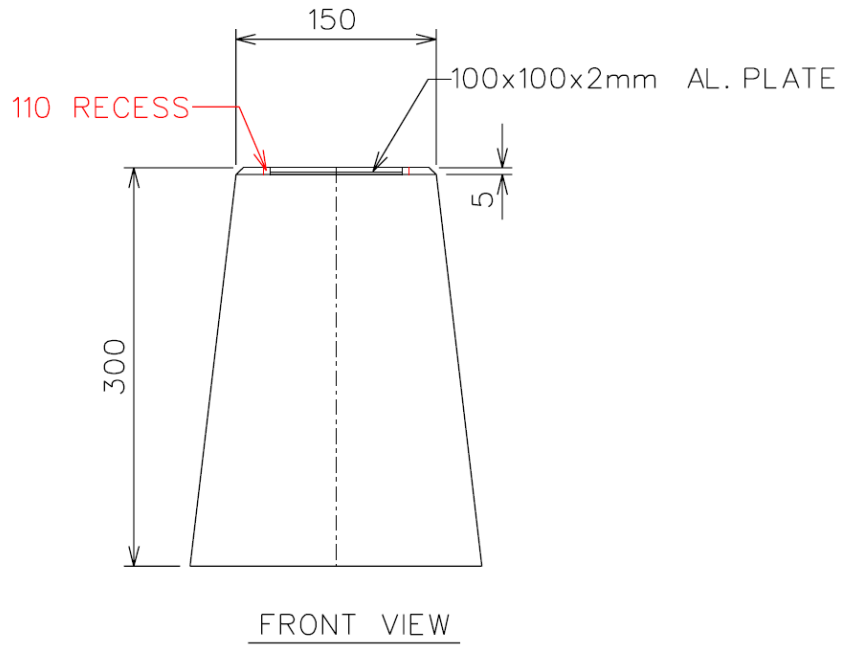
22. ERWAT will assist as far as possible with the identification of existing services, but it is the sole responsibility of the supplier to ensure that no existing service is damaged.
23. The supplier will be responsible for any repairs to existing services damaged or interrupted as a result of any part of this contract.

3.5. **Cable Installation Trench Drawing**



Drawing number 001-MV-02-11-001

3.6. **Cable marker Drawing**



3.7. Switchgear Maintenance specifications

Switchgear maintenance must include the following minimum activities:

- a. Visual check for any trip, alarm indication or abnormalities in operational condition.
- b. Partial discharge (PD) test must be done with a report on Transient Earth Voltages and Ultrasonic measurements must be submitted.
- c. The partial discharge (PD) tester to be used for this test must be capable of:
 - i. The minimum, Transient Earth Voltages (TEV) measurement range of, 0 – 60dBmV.
 - ii. The minimum, Ultrasonic Measurements range of, -5dB μ V to 60 dB μ V.
 - iii. The minimum resolution of 1dB and accuracy of , \pm 1dB.
- d. Cleaning and functional testing.
- e. Original equipment manufacturer serving activities.
- f. Insulation resistance test by applying double the rated voltage in a DC supply for one minute to determine the Mega-Ohm resistance.
- g. The high voltage insulation resistance tester to be used for this test must be capable of:
 - i. Double the rated voltage in a DC supply.
 - ii. The accuracy of \pm 5% + 1 Digit
 - iii. Live circuit warning
 - iv. Auto discharge
- h. Electronic-time-travel-open-close speed trace test.
- i. The electronic-time-travel-open-close speed trace tester to be used for this test must be capable of:
 - i. Time measurement, minimum range: 1 to 100 s
 - ii. Time measurement resolution, minimum range: 0.1 to 10 ms
 - iii. Time base accuracy, minimum: 0.05% of the reading \pm resolution
 - iv. Breaker Operation Sequences testing, Close, Open, Open/Close, Open/Close/Open
 - v. Pulse length Adjustable steps, minimum:10 ms
 - vi. Pulse delay Adjustable steps, minimum:10 ms
- j. Switchgear maintenance report must be produced including:
 - i. Site name:
 - ii. Equipment description and location number:
 - iii. Equipment make:
 - iv. Equipment Model:
 - v. Equipment serial number:
 - vi. Designated supplier represented name and job description:
 - vii. Test equipment make:
 - viii. Test equipment model:
 - ix. Test equipment serial number:
 - x. Test equipment copy of calibration certificate:
 - xi. Copy of test equipment operator competency certification:
 - xii. Details of acceptable test values:
 - xiii. Test values versus acceptable values:
 - xiv. Findings and recommendations:

3.8. Transformer Maintenance specifications

Transformer maintenance must include the following minimum activities

- a. Visual check for any leaks or abnormalities in operational condition
- b. Partial discharge (PD) test must be done with a report on Transient Earth Voltages and Ultrasonic measurements must be submitted.
- c. The partial discharge (PD) tester to be used for this test must be capable of:
 - i. The minimum, Transient Earth Voltages (TEV) measurement range of, 0 – 60dBmV.
 - ii. The minimum, Ultrasonic Measurements range of, -5dBµV to 60 dBµV.
 - iii. The minimum resolution of 1dB and accuracy of ,±1dB.
- d. Oil sampling and analysis and the submission of a test report
- e. The Oil sampling and analysis must include the tests below with the results contained in the test report:
 - i. Test Type-Interfacial Tension (IFT), ASTM Test Method; D 791
 - ii. Test Type-Neutralization, Acid Number, ASTM Test Method; D 974
 - iii. Test Type-Oil Moisture Content, ASTM Test Method; D 1533
 - iv. Test Type-Power Factor, ASTM Test Method; D 924
 - v. Test Type-Dielectric Breakdown Voltage, ASTM Test; Method D 877 / D 1816
 - vi. Test Type-Dissolved Gas Analysis (DGA), ASTM Test Method; D 3612
 - vii. Test Type-Oil Colour and Visual, ASTM Test Method; D 1500
 - viii. Test Type-Polychlorinated biphenyl (PCB), ASTM Test Method; D 4059
- f. The transformer oil level and temperature readings must be checked and noted.
- g. Silica gel, holder and breathing holes to be checked and properly cleaned if required.
- h. Temperature and Buchholz relays trips must be tested.
- i. Temperature and Buchholz relays must be serviced in accordance to original equipment manufacturer servicing activities
- j. Insulation resistance test by applying double the rated voltage in a DC supply for one minute to determine the Mega-Ohm resistance.
- k. The high voltage insulation resistance tester to be used for this test must be capable of:
 - i. Double the rated voltage in a DC supply.
 - ii. The accuracy of ± 5% + 1 Digit
 - iii. Live circuit warning
 - iv. Auto discharge
- l. Transformer winding test.
- m. The transformer winding tester to be used for this test must be capable of:
 - i. Three phase test capability to test all six windings
 - ii. Test 1, three phase turns ratio
 - iii. Test 2, three phase winding resistance
 - iv. Test 3, on load tap changer continuity
 - v. Test 4, three phase core demagnetization
 - vi. Test 5, magnetic balance / flux distribution
 - vii. Test 6, excitation current
 - viii. Test 7, polarity and phase angle deviation
 - ix. Test 8, auto vector detection
 - x. Test 9, heat-run test
- n. Physical inspection and cleaning of terminations, termination boxes, bushings and all other auxiliary equipment
- o. Removal of top cover and inspection of transformer internals

- p. Transformer maintenance report must be produced including all the elements of the switchgear maintenance report applied the transformer maintenance activities;

3.9. **Primary injection test specifications**

Primary injection test must include the following minimum activities:

- a. With the main supply isolated, the breakers must be in the test position in a closed state.
- b. Current must be injected directly into the current transformers for overcurrent trip test.
- c. The injected current must be gradually increases from 50% of full load up to 100% of full load.
- d. Protection relay current indication must be recorded at every 5% increment up to trip.
- e. Earth current trip test must be done using the same method starting from 0%.

- f. The injection tester to be used for this test must be capable of:
 - i. Current range, 20 A to 2000 A
 - ii. Current accuracy, Output $\pm 2.5\%$
 - iii. AC voltage output, 0 to 250 V, 2 A, 50 Hz/60 Hz

- g. Test report must be produced including:
 - i. Site name
 - ii. Equipment description and location number
 - iii. Equipment make
 - iv. Equipment Model
 - v. Equipment serial number
 - vi. Designated supplier represented name and job description
 - vii. Test equipment make
 - viii. Test equipment model
 - ix. Test equipment serial number
 - x. Test equipment copy of calibration certificate
 - xi. Copy of test equipment operator competency certification
 - xii. Details of acceptable test values
 - xiii. Test values versus protection relay indicated values at the 5% test increments up to trip
 - xiv. Findings and recommendations.

3.10. **Secondary injection test specifications**

Secondary injection test must include the following minimum activities:

- a. In the secondary injection test the current must be injected directly into the protection relay, not via the current transformers with the rest of the procedure being exactly the same.

3.11. **Equipment and tools requirements**

The following tools and equipment is required and the data sheets below detailing the equipment requirements has to be complete in full. Verification inspections will be done on shortlisted candidates.

3.11.1. Arc flash switching suit

Arc flash switching suit one per team, available that must include, pants, jacket, hood and gloves according to the requirements below:

- a. Rating, > 40 Cal/cm²
- b. Complies to, SANS 724:2019

3.11.2. Arc flash clothing

Arc flash clothing available for everyone that enters a medium voltage premises while energized that must including, long-sleeve shirt and pants, or coverall (overalls) according to the requirements below:

- a. Rating, > 8 Cal/cm²
- b. Complies to, SANS 724:2019

3.11.3. High voltage proximity detector

High voltage proximity detector that must be capable of:

- a. Test selection, 3.3 kV, 6.6 kV, 11 kV, 22 kV
- b. Indication, LED and Buzzer
- c. Test Selection, Off, Self-test and Voltage test

3.11.4. High voltage live line phase comparator

High voltage live line phase comparator tester that must be capable of:

- a. Test selection, 3.3 kV, 6.6 kV, 11 kV, 22 kV
- b. Indication, Voltage Indication
- c. Test Selection, Auto voltage ranging
- d. Testing, Testing unit to prove operation

3.11.5. High voltage insulation tester

High voltage insulation tester that must be capable of:

- a. Double the rated voltage in a DC supply
- b. The accuracy of $\pm 5\% + 1$ Digit
- c. Live circuit warning
- d. Auto discharge

3.11.6. Power cable fault locator system

Power cable fault locator system that must be capable of:

- a. Fault locating by, Arc Reflection Method
- b. Fault locating by, Time Domain Reflectometry (Pulse Echo)
- c. Fault locating by, Impulse Current
- d. Fault locating by, High Voltage Surge
- e. Fault locating by, Proof and Burn
- f. Outputs, Output Range Impulse: 0 to 16 kV
- g. Outputs, Proof Test: 0 to 20 kV
- h. Outputs, Burn Current: 0 to 60 mA
- i. Auxiliary equipment, Cable fault pinpointed

3.11.7. Primary and secondary current injection test sets

Primary and secondary current injection test sets that must be capable of:

- a. Current range, 20 A to 2000 A
- b. Current accuracy, Output $\pm 2.5\%$
- c. AC voltage output, 0 to 250 V, 2 A, 50 Hz/60 Hz

3.11.8. Three phase power recorder

Three phase power recorder that must be capable of:

- a. Voltage Inputs, 5 channels
- b. Current Inputs, AC/DC Current-5 channels
- c. Voltage Measurement, AC voltage: 1000 V RMS $\pm 10\%$
- d. Voltage Measurement, DC voltage: $\pm 1000\text{ V} + 10\%$
- e. Current Measurement, AC/DC 5000 A
- f. Maximum Recording, 31 days
- g. Transient Sample Resolution, 200 nS
- h. Power Factor, -1 (leading) to 0 to +1 (lagging)
- i. Harmonic Analysis, 1st to 50th order
- j. Connector, RJ-45
- k. Communications-1, TCP/IP over Ethernet

3.11.9. Hand-held Partial Discharge (PD) test instrument

Hand-held Partial Discharge (PD) test instrument that must be capable of:

- a. The minimum, Transient Earth Voltages (TEV) measurement range of, 0 – 60dBmV
- b. The minimum, Ultrasonic Measurements range of, -5dB μ V to 60 dB μ V
- c. The minimum resolution of 1dB and accuracy of, ± 1 dB.

3.11.10. Circuit breaker analyser

Circuit breaker analyser (Electronic-Time-Travel-Open-Close Speed Trace) that must be capable of:

- a. Time measurement, minimum range: 1 to 100 s
- b. Time measurement resolution, minimum range: 0.1 to 10 ms
- c. Time base accuracy, minimum: 0.05% of the reading \pm resolution
- d. Breaker Operation Sequences testing, Close, Open, Open/Close, Open/Close/Open
- e. Pulse length Adjustable steps, minimum:10 ms
- f. Pulse delay Adjustable steps, minimum:10 ms

3.11.11. Transformer winding resistance analyser

Transformer winding resistance analyzer that must be capable of:

- a. Three phase test capability to test all six windings
- b. Test 1, three phase turns ratio
- c. Test 2, three phase winding resistance
- d. Test 3, on load tap changer continuity
- e. Test 4, three phase core demagnetization
- f. Test 5, magnetic balance / flux distribution
- g. Test 6, excitation current
- h. Test 7, polarity and phase angle deviation
- i. Test 8, auto vector detection
- j. Test 9, heat-run test

4. PROJECT MANAGEMENT AND CONTRACTING AUTHORITY

The project will be managed by the Maintenance Department within Ekurhuleni Water Care Company.

5. REPORTING REQUIREMENTS

5.1. The service provider shall provide the following reports:

5.1.1. Table 1: Reporting

Name of report	Content	Due date
Inception report	Analysis of existing situation and work plan for the project	Upon receipt of a formal appointment the bidder to discuss the due date for the inception report with timelines as agreed to in the service level agreement that will carry over to the performance evaluation document for monitoring.
Monthly report	Monthly status report (technical and financial)	As agreed to in the finalised service level agreement and monitored at the monthly performance evaluation sessions.
Closeout and handover report	To be submitted on the last month of year 3.	As agreed to in the finalised service level agreement not exceeding 15 days from date of expiry date of the tender contract.

5.2. Submission and approval of reports

The inception report, monthly progress report and closeout report must be compiled and submitted to the departmental Project Manager within the set timelines as indicated in the service level agreement and or the performance evaluation document

6. SUBMISSION REQUIREMENTS

ERWAT will establish a Bid Evaluation Committee (BEC) whose responsibility it is to make recommendations to the Bid Adjudication Committee (BAC). The Bid Evaluation Committee will short list and evaluate the bid document in accordance with the criteria below and make recommendations to the BAC.

- 1) Pre compliance evaluation to be done to determine the eligibility of a bidder to be recommended for the 2nd phase of evaluation-qualified bidders goes through for the functionality evaluation. The evaluation criteria are related to technical team skills functionality and the company functionality as set out in the functionality section.
- 2) Bidders will be scored on points for price and specific goals as stipulated in the bid document (refer to MBD 6.1).
- 3) Calculate total Bid evaluation points, to two decimal places.
- 4) Rank Bid offers from the highest number of Bid evaluation points to the lowest.
- 5) Recommend Bidders with the highest number of Bid evaluation points for the award of the contract, unless there are compelling and justifiable reasons not to do so.

7. EVALUATION

7.1 MANDATORY REQUIREMENTS

Failure to comply with requirements as listed in the table below will result in disqualification.

REQUIREMENTS	SUPPORTING DOCUMENTS
The bidding entity must be registered with the department of labour in terms of the SANS10142 part 1.	Certified copy of registration certificate
Two (2) Electricians: registered with department of labour as an Installation Electrician or Master installation Electrician	Certified copy of registration certificate

NB: THE INFORMATION POPULATED IN THE TABLE BELOW WILL BE USED FOR EVALUATION PURPOSES. THE INFORMATION CONTAINED IN THE TABLE WILL ONLY BE CONSIDERED IF THE DECLARATIONS ARE COMPLETED AND SIGNED.

THE YEARS OF RELEVANT EXPERIENCE MUST SPEAK TO THE SCOPE OF WORKS FOR THIS CONTRACT.

The electrician with the highest years of post-registration experience will be considered under functionality evaluation.

DESIGNATION (MANDATORY REQUIREMENTS)	NAME	QUALIFICATION (MASTER OR INSTALLATION ELECTRICIAN)	YEARS OF RELEVANT EXPERIENCE POST REGISTRATION AS MASTER OR INSTALLATION ELECTRICIAN
ELECTRICIAN 1			
ELECTRICIAN 2			

DECLARATION IN TERMS OF THE AUTHENTICITY OF THE INFORMATION SUBMITTED BY:

AUTHORISED SIGNATORY

I, _____, duly authorized to sign this declaration, hereby confirm/declare that the information submitted as portfolio of evidence in relation to key staff experience and qualifications is a true reflection of the submission.

SIGNATURE: _____ **DATE:** _____

7.2 FUNCTIONALITY EVALUATION

Potential service providers will have to achieve minimum number of **points out of 100** for their technical proposals before their financial proposals and specific goals are evaluated as set out the tables below. This is required so that there is a level of comfort that the potential service provider can deliver the project with the required professionalism and quality.

7.2.1 Scoring Process

The Technical / Functional Evaluation Task Team will be established to determine the following:

- Whether or not the Bidder understood the project specifications.
- The bidders experience with similar projects.
- The qualifications and experience of the key staff proposed.

No alteration of technical / functionality proposals will be permitted after the deadline for receipt of bids. Questions may be asked for clarification needed to evaluate their proposals, but bidders would not be permitted to change the substance or price of their bids after bid opening. Requests for clarification and the bidder's responses would be made in writing. No interviews will be conducted in this regard.

Functionality Documentation must either be attached to the applicable Returnable Schedule as stated below or can be bound into a separate volume and clearly referenced to in each of the applicable schedules. **If the functionality document is not attached to the page or clearly referenced it will be deemed not to have been included.**

The score for the Technical / Functionality Evaluation will be calculated in accordance with the table below:

Table 1: Team and company evaluation

CRITERION	CRITERION DETAILS	POINTS	SCORE
<p>Company Experience</p> <p>Only signed completion certificates or reference letters on the letterheads of the previous client/employer with a clear description of works, contact person, and contact details of the contact person will be accepted.</p> <p>Completion certificates or reference letters.</p>	<p><i>Company experience in maintenance and repairs of transformers or switchgear or substations or miniature sub stations or primary or secondary injection tests or any medium (1000 Volts to 22 000 Volts) or high (Above 22 000 Volts) voltage equipment.</i></p> <p><i>Provide completion certificates or reference letter for projects in bidders' client's letterhead.</i></p> <p><i>Kindly note that reference letters or completion certificates must be for individual contracts. More than one reference letter for one specific contract will be seen as one reference irrespective of the number of letters/certificates attached.</i></p> <ul style="list-style-type: none"> • 5 and More Letters/Certificates = 40 • 4 Letters/Certificates = 30 • 3 Letters/Certificates = 20 • 2 Letters/Certificates = 10 • 1 Letter/Certificate = 5 • No information submitted = 0 	40	
<p>Expertise of key staff</p>	<p>Key staff: No points shall be allocated for 0 – 23 Months post registration experience. Certified copies of installation or master installation electrician registration must be attached. Experience of key staff will be evaluated based on the years/ months post registration attainment up to date of tender closure.</p> <p><u>One Electrician with an Installation Electrician or Master installation registration:</u></p> <ul style="list-style-type: none"> • No submission/No Experience = 0 • 24 – 48 Months' Experience = 5 • 49 – 72 Months' Experience = 10 • 73 and More Months' Experience = 20 	20	
<p>Resource Evaluation</p> <p>Please refer to the Resource Evaluation for the equipment that will be evaluated</p>	<p>Resource evaluation:</p> <ul style="list-style-type: none"> • Bidder Complies with 11 out of 11 Equipment = 40 Points • Bidder Complies with 10 out of 11 Equipment = 30 Points • Bidder Complies with 09 out of 11 Equipment = 20 Points • Bidder complies with 8 or less out of 11 Equipment = 0 Points. 	40	
TOTAL	Bidder must score a minimum of <u>70</u> points to be considered for further evaluation	100	

7.2.2 RESOURCE EVALUATION

The equipment below will be verified as part of the site inspection.

Resource Evaluation, during the site visits. The table below will be used in the evaluation process to determine the scoring in terms of the Scoring Criteria, Resource Evaluation.

Item	Description of Equipment	Comply (Yes or No) <i>To be completed by BEC</i>								
Vehicles										
1.	Crane Trucks (Minimum 8 ton)									
2.	1 ton Bakkie									
3.	Light Duty Vehicle									
Equipment										
4.	Arc Flash Switching Suit x 2									
5.	High voltage proximity detector									
6.	High Voltage Phasing Stick									
7.	Cable Fault Locator									
8.	3-Phase power recorder									
9.	Hand held partial Discharge test instrument									
10.	Circuit Breaker analyser									
11.	Winding Resistance Tester									
<ul style="list-style-type: none"> • Bidder Complies with 11 out of 11 Equipment = 40 Points • Bidder Complies with 10 out of 11 Equipment = 30 Points • Bidder Complies with 09 out of 11 Equipment = 20 Points • Bidder complies with 8 or less out of 11 Equipment = 0 Points 										
If no indicate the item number below										
1	2	3	4	5	6	7	8	9	10	11
Comments:										
Name:				Signature:				Date:		

PRICING SCHEDULE

PRICING INSTRUCTIONS:

- a) Bidders must price for the line items as set out below. This is a rate based tender and therefore no sub totals and totals will be applicable in the pricing schedule and orders will only be generated on an as and when required basis according to the rates.
- b) Failure to complete the pricing schedule below in full will lead to disqualification.
- c) The successful bidder will be required to submit a quote for the works required prior to being issued an official order and will be limited to the rates as set out herein.
- d) Bidders are required to price for all direct and indirect cost relating to the execution of the contract including travelling expenses.
- e) Bidders should note that where quantity's are stipulated in the table below, it is deemed to be indicative and ERWAT reserves the right to increase/decrease the quantity as the need arises.
- f) Evaluation for price scoring will be done by calculating the line items in the table below to an indicative sum to determine the highest scoring bidder as provided for in the PPPFA Regulation 2022.
- g) Bidders should note that the indicative values should not be construed as a total or sub-total in any way and does not limit the award to this value. Purchase orders may be issued at the rates on an as and when required basis to not exceed the available budget for such throughout the contract period.
- h) All prices to be inclusive of VAT.

1. SERVICES			
Item	Description	UOM	Amount (Incl. VAT)
1.	Technician	Rate/Hour	
2.	Electrician	Rate/Hour	
3.	General Worker	Rate/Hour	
4.	The locating of one cable fault- Including labour	SUM	
5.	Switchgear Maintenance- Including labour	SUM	
6.	Transformer Maintenance- Including labour	SUM	
7.	Primary Injection Test on Switchgear - Including labour	SUM	
8.	Secondary Injection Test on Switchgear - Including labour	SUM	
9.	Test and service of a Battery Tripping unit- Including labour	SUM	
10.	Pressure testing a cable 230 VAC to 22 KV- Including labour	SUM	
11.	Partial discharge (PD) test with a report on Transient Earth Voltages and Ultrasonic measurements- Including labour	SUM	
12.	Insulation resistance test by applying double the rated voltage in a DC supply, with the specified High voltage insulation resistance tester for one minute to determine the Mega-Ohm resistance- Including labour	SUM	
13.	Electronic-time-travel-open-close speed trace test using the specified Circuit breaker analyser- Including labour	SUM	
14.	Testing Mineral insulating oil sample for Transformer and Switchgear- Including labour	SUM	
15.	Transformer winding test with the specified tester- Including labour	SUM	

2. EQUIPMENT-SUPPLY ONLY

Item	Description	UOM	Amount (Incl. VAT)
1.	Arc Flash protective clothing > 40 Cal/cm ² including protective hood, gloves, jacket, braced trousers and carry bag	SET	
2.	Key alike Nylon Padlock (Modlok) with 6 mm by 28 mm Long Stainless Steel (316) Shackle	Each	
3.	Key alike Nylon Padlock (Modlok) with 6 mm by 48 mm Long Stainless Steel (316) Shackle	Each	
4.	High Voltage Proximity Detector	Each	
5.	High Voltage Live Line Phase Comparator Tester	Each	
6.	High Voltage Insulation Tester	Each	
7.	Power Cable Fault Locator System	Each	
8.	Primary Current Injection Test Sets	Each	
9.	Three Phase Power Recorder	Each	
10.	Hand-Held Partial Discharge (PD) Test Instrument	Each	
11.	Circuit Breaker Analyser	Each	
12.	Transformer Winding Resistance Analyser	Each	

3. EQUIPMENT-SUPPLY ONLY			
Item	Description	UOM	Amount (Incl. VAT)
1.	Transformer Oil per 20 litre drum	Per Drum	
2.	Silica Gel	Per Kg	
3.	Air Break Switch – Switch 3 Phase 22kv 400amp LB HPM – Load Break Switch Inland	Each	
4.	Battery Tripping unit 32 Volt complete with batteries	UNIT	
5.	Set of batteries for (32 Volt Battery Tripping unit)	PER/SET	
6.	Battery Tripping unit 110 Volt complete with batteries	UNIT	
7.	Set of batteries for (110 Volt Battery Tripping unit)	PER/SET	
8.	Medium voltage class three-phase overcurrent and earth fault protection relays- panel cut out size, height 152 mm by Width 97 mm	Each	
9.	Medium voltage class three-phase overcurrent and earth fault protection relays- panel cut out size, height 129 mm by Width 161 mm	Each	
10.	Medium voltage class three-phase overcurrent and earth fault protection relays- panel cut out size, height 197 mm by Width 161 mm	Each	
11.	Set of three - current transformers, one metering and one protection core, 50 to 800 Amp, class 0.1 to 10	PER/SET	
12.	Medium voltage circuit breaker including metering panels, current transformers and protection relay, size 375 mm wide 630 Amp current rating	Each	
13.	Medium voltage circuit breaker including metering panels, current transformers and protection relay, size 600 mm wide 800 Amp current rating	UNIT	
14.	Medium voltage circuit breaker including metering panels, current transformers and protection relay, size 800 mm wide 1250 Amp current rating	Each	
15.	Medium voltage circuit breaker including metering panels, current transformers and protection relay, size 1000 mm wide 2000 Amp current rating	Each	
16.	Medium voltage ring main unit with self-powered protection relays, three way, two 630 Amp one 200 Amp units	Each	
17.	Medium voltage ring main unit with self-powered protection relays, four way, two 630 Amp two 200 Amp units	Each	
18.	Totally enclosed medium voltage miniature Substation including three way ring main unit, 500 KVA, 6.6/11 KV	Each	
19.	Totally enclosed medium voltage miniature Substation including three way ring main unit, 630 KVA, 6.6/11 KV	Each	

4. SPARES-SUPPLY ONLY

Item	Description	UOM	Rate/ Meter (Incl. VAT)	Rate/ Drum (Incl. VAT)
1	SWA 3 core 300 mm ² XLPE 22KV cable	m/ Drum		
2	Bare copper earth wire 150 mm ²	m/ Drum		
3	SWA 3 core 240 mm ² XLPE 22KV cable	m/ Drum		
4	Bare copper earth wire 120 mm ²	m/ Drum		
5	SWA 3 core 185 mm ² XLPE 22KV cable	m/ Drum		
6	Bare copper earth wire 95 mm ²	m/ Drum		
7	SWA 3 core 150 mm ² XLPE 22KV cable	m/ Drum		
8	Bare copper earth wire 70 mm ²	m/ Drum		
9	SWA 3 core 120 mm ² XLPE 22KV cable	m/ Drum		
10	Bare copper earth wire 70 mm ²	m/ Drum		
11	SWA 3 core 95 mm ² XLPE 22KV cable	m/ Drum		
12	Bare copper earth wire 50 mm ²	m/ Drum		
13	SWA 3 core 70 mm ² XLPE 22KV cable	m/ Drum		
14	Bare copper earth wire 35 mm ²	m/ Drum		
15	SWA 3 core 50 mm ² XLPE 22KV cable	m/ Drum		
16	Bare copper earth wire 25 mm ²	m/ Drum		
17	ACSR HARE + UV resistant FR PVC black sheath	m/ Drum		

5. SPARES-SUPPLY ONLY

Item	Description	UOM	Rate/ Meter (Incl. VAT)	Rate/ Drum (incl. VAT)
1	SWA 4 core 300 mm ² 600/1000 Volt cable	m/ Drum		
2	SWA 4core 240 mm ² 600/1000 Volt cable	m/ Drum		
3	SWA 4core 185 mm ² 600/1000 Volt cable	m/ Drum		
4	SWA 4core 150 mm ² 600/1000 Volt cable	m/ Drum		
5	SWA 4core 120 mm ² 600/1000 Volt cable	m/ Drum		
6	SWA 4core 95 mm ² 600/1000 Volt cable	m/ Drum		
7	SWA 4core 70 mm ² 600/1000 Volt cable	m/ Drum		
8	SWA 4core 50 mm ² 600/1000 Volt cable	m/ Drum		
9	SWA 4core 35 mm ² 600/1000 Volt cable	m/ Drum		
10	SWA 4core 25 mm ² 600/1000 Volt cable	m/ Drum		
11	SWA 4core 16 mm ² 600/1000 Volt cable	m/ Drum		
12	SWA 4core 10 mm ² 600/1000 Volt cable	m/ Drum		
13	SWA 4core 6 mm ² 600/1000 Volt cable	m/ Drum		
14	SWA 4core 4 mm ² 600/1000 Volt cable	m/ Drum		
15	SWA 4core 2.5 mm ² 600/1000 Volt cable	m/ Drum		
16	SWA 4core 1.5 mm ² 600/1000 Volt cable	m/ Drum		
17	Bare copper earth wire 16 mm ²	m/ Drum		
18	Bare copper earth wire 10 mm ²	m/ Drum		
19	Bare copper earth wire 6 mm ²	m/ Drum		
20	Bare copper earth wire 4 mm ²	m/ Drum		

6. SPARES-SUPPLY ONLY

Item	Description	UOM	Rate/ Meter (Incl. VAT)	Rate/ Drum (incl. VAT)
1	Single Core PVC 630 mm ² 600/1000 Volt cable	m/ Drum		
2	Single Core PVC 500 mm ² 600/1000 Volt cable	m/ Drum		
3	Single Core PVC 400 mm ² 600/1000 Volt cable	m/ Drum		
4	Single Core 300 mm ² 600/1000 Volt cable	m/ Drum		
5	Single Core PVC 240 mm ² 600/1000 Volt cable	m/ Drum		
6	Single Core PVC 185 mm ² 600/1000 Volt cable	m/ Drum		
7	Single Core PVC 150 mm ² 600/1000 Volt cable	m/ Drum		
8	Single Core PVC 120 mm ² 600/1000 Volt cable	m/ Drum		
9	Single Core PVC 95 mm ² 600/1000 Volt cable	m/ Drum		
10	Single Core PVC 70 mm ² 600/1000 Volt cable	m/ Drum		
11	Single Core PVC 50 mm ² 600/1000 Volt cable	m/ Drum		
12	Single Core PVC 35 mm ² 600/1000 Volt cable	m/ Drum		
13	Single Core PVC 25 mm ² 600/1000 Volt cable	m/ Drum		

7. SPARES-SUPPLY AND LABOUR				
Item	Description	UOM	Rate/Meter (Incl. VAT)	Rate/100meter (Incl. VAT)
1	SWA 3 core 300 mm ² XLPE 22KV cable and Bare copper earth wire 150 mm ² . Installation including supply, trenching, installation and backfilling	Sum		
2	SWA 3 core 240 mm ² XLPE 22KV cable and Bare copper earth wire 120 mm ² . Installation including supply, trenching, installation and backfilling	Sum		
3	SWA 3 core 185 mm ² XLPE 22KV cable and Bare copper earth wire 95 mm ² . Installation including supply, trenching, installation and backfilling	Sum		
4	SWA 3 core 150 mm ² XLPE 22KV cable and Bare copper earth wire 70 mm ² . Installation including supply, trenching, installation and backfilling	Sum		
5	SWA 3 core 120 mm ² XLPE 22KV cable and Bare copper earth wire 70 mm ² . Installation including supply, trenching, installation and backfilling	Sum		
6	SWA 3 core 95 mm ² XLPE 22KV cable and Bare copper earth wire 50 mm ² Installation including supply, trenching, installation and backfilling	Sum		
7	SWA 3 core 70 mm ² XLPE 22KV cable and Bare copper earth wire 35 mm ² . Installation including supply, trenching, installation and backfilling	Sum		
8	SWA 3 core 50 mm ² XLPE 22KV cable and Bare copper earth wire 25 mm ² . Installation including supply, trenching, installation and backfilling	Sum		

8. SPARES-SUPPLY AND LABOUR			
Item	Description	UOM	Amount (Incl. VAT)
1	Cable joint 300 mm ² XLPE 22KV cable - Including labour, opening and closing of trench and testing.	Each	
2	Cable joint 240 mm ² XLPE 22KV cable - Including labour, opening and closing of trench and testing.	Each	
3	Cable joint 185 mm ² XLPE 22KV cable - Including labour, opening and closing of trench and testing.	Each	
4	Cable joint 150 mm ² XLPE 22KV cable - Including labour, opening and closing of trench and testing.	Each	
5	Cable joint 120 mm XLPE 22KV cable- Including labour, opening and closing of trench and testing.	Each	
6	Cable joint 95 mm ² XLPE 22KV cable - Including labour, opening and closing of trench and testing.	Each	
7	Cable joint 70 mm ² XLPE 22KV cable - Including labour, opening and closing of trench and testing.	Each	
8	Cable joint 50 mm ² XLPE 22KV cable - Including labour, opening and closing of trench and testing.	Each	

9. SPARES-SUPPLY AND LABOUR

Item	Description	UOM	Amount (Incl. VAT)
1	Cable termination 300 mm ² XLPE 22KV cable - Including labour and testing.	Each	
2	Cable termination 240 mm ² XLPE 22KV cable - Including labour and testing.	Each	
3	Cable termination 185 mm ² XLPE 22KV cable - Including labour and testing.	Each	
4	Cable termination 150 mm ² XLPE 22KV cable - Including labour and testing.	Each	
5	Cable termination 120 mm ² XLPE 22KV cable - Including labour and testing.	Each	
6	Cable termination 95 mm ² XLPE 22KV cable - Including labour and testing.	Each	
7	Cable termination 70 mm ² XLPE 22KV cable - Including labour and testing.	Each	
8	Cable termination 50 mm ² XLPE 22KV cable - Including labour and testing.	Each	
9	Bare copper earth wire 150 mm ² . Cadweld exothermic joint- Including labour and testing.	Each	
10	Bare copper earth wire 120 mm ² . Cadweld exothermic joint - Including labour and testing.	Each	
11	Bare copper earth wire 95 mm ² . Cadweld exothermic joint - Including labour and testing.	Each	
12	Bare copper earth wire 70 mm ² . Cadweld exothermic joint - Including labour and testing.	Each	
13	Bare copper earth wire 50 mm ² . Cadweld exothermic joint - Including labour and testing.	Each	
14	Bare copper earth wire 35 mm ² . Cadweld exothermic joint - Including labour and testing.	Each	
15	Bare copper earth wire 25 mm ² . Cadweld exothermic joint - Including labour and testing.	Each	

10. SPARES-SUPPLY AND LABOUR

Item	Description	UOM	Amount (Incl. VAT)
1	Cable termination 300 mm ² XLPE 22KV cable - Including labour and testing.	Each	
2	Cable termination 240 mm ² XLPE 22KV cable - Including labour and testing.	Each	
3	Cable termination 185 mm ² XLPE 22KV cable - Including labour and testing.	Each	
4	Cable termination 150 mm ² XLPE 22KV cable - Including labour and testing.	Each	
5	Cable termination 120 mm ² XLPE 22KV cable - Including labour and testing.	Each	
6	Cable termination 95 mm ² XLPE 22KV cable - Including labour and testing.	Each	
7	Cable termination 70 mm ² XLPE 22KV cable - Including labour and testing.	Each	
8	Cable termination 50 mm ² XLPE 22KV cable - Including labour and testing.	Each	
9	Bare copper earth wire 150 mm ² . Cadweld exothermic joint- Including labour and testing.	Each	
10	Bare copper earth wire 120 mm ² . Cadweld exothermic joint - Including labour and testing.	Each	
11	Bare copper earth wire 95 mm ² . Cadweld exothermic joint - Including labour and testing.	Each	
12	Bare copper earth wire 70 mm ² . Cadweld exothermic joint - Including labour and testing.	Each	
13	Bare copper earth wire 50 mm ² . Cadweld exothermic joint - Including labour and testing.	Each	
14	Bare copper earth wire 35 mm ² . Cadweld exothermic joint - Including labour and testing.	Each	
15	Bare copper earth wire 25 mm ² . Cadweld exothermic joint - Including labour and testing.	Each	

11. SPARES-SUPPLY AND LABOUR

Item	Description	UOM	Amount (Incl. VAT)
1	SWA 4 core 300 mm ² 600/1000 Volt cable joint - Including labour, opening and closing of trench and testing	Each	
2	SWA 4core 240 mm ² 600/1000 Volt cable joint - Including labour, opening and closing of trench and testing	Each	
3	SWA 4core 185 mm ² 600/1000 Volt cable joint - Including labour, opening and closing of trench and testing	Each	
4	SWA 4core 150 mm ² 600/1000 Volt cable joint - Including labour, opening and closing of trench and testing	Each	
5	SWA 4core 120 mm ² 600/1000 Volt cable joint - Including labour, opening and closing of trench and testing	Each	
6	SWA 4core 95 mm ² 600/1000 Volt cable joint - Including labour, opening and closing of trench and testing	Each	
7	SWA 4core 70 mm ² 600/1000 Volt cable joint - Including labour, opening and closing of trench and testing	Each	
8	SWA 4core 50 mm ² 600/1000 Volt cable joint - Including labour, opening and closing of trench and testing	Each	
9	SWA 4core 35 mm ² 600/1000 Volt cable joint - Including labour, opening and closing of trench and testing	Each	
10	SWA 4core 25 mm ² 600/1000 Volt cable joint - Including labour, opening and closing of trench and testing	Each	
11	SWA 4core 16 mm ² 600/1000 Volt cable joint - Including labour, opening and closing of trench and testing	Each	
12	SWA 4core 10 mm ² 600/1000 Volt cable joint - Including labour, opening and closing of trench and testing	Each	
13	SWA 4core 6 mm ² 600/1000 Volt cable joint - Including labour, opening and closing of trench and testing	Each	
14	SWA 4core 4 mm ² 600/1000 Volt cable joint - Including labour, opening and closing of trench and testing	Each	
15	SWA 4core 2.5 mm ² 600/1000 Volt cable joint - Including labour, opening and closing of trench and testing	Each	
16	SWA 4core 1.5 mm ² 600/1000 Volt cable joint - Including labour, opening and closing of trench and testing	Each	

- Mark Up on items not covered under the pricing schedule is limited to a 5% on the actual price of the item, not on the pricing schedule and not on profit:

For items that fall outside the scope stipulated in this document, the following table applies. This will be limited to the items that are required for the supply and install of the equipment as set out in this document.

The service provider is to be aware that ERWAT reserves the right to obtain quotes to check if the contractor is not overcharging with respect to such item/s. **The mark-up percentage will be limited to a maximum of 5% and will be considered on a case-to-case basis and limited to the current equipment.**

Item amount incl. VAT	Percentage Mark-up
Up to R 2 000	5%
R 2 001 to R 5 000	5%
R 5 001 to R 10 000	5%
R 10 001 to R15 000	5%
Above R15 000	5%

I, the undersigned, the authorised designated signatory, undertake to carry out the works in accordance with the conditions of contract, the specifications for the tender sum as indicated and within the time for completion as specified in the Contract.

BIDDER'S name: _____

BIDDER'S signature: _____ Date: _____

Name of Firm: _____

Address

Telephone number: _____

Fax Number: _____

Cellular number: _____

E Mail Address: _____



SPECIAL CONDITIONS OF CONTRACT

SUPPLY CHAIN MANAGEMENT

ERW2303/02: APPOINTMENT OF SERVICE PROVIDER/S FOR THE MAINTENANCE, REPAIRS AND SUPPLY OF ASSOCIATED EQUIPMENT IN RELATION TO MEDIUM VOLTAGE EQUIPMENT ON ALL ERWAT SITES FOR A FIXED TERM PERIOD ON AN AS AND WHEN REQUIRED BASIS

CLOSING DATE: FRIDAY, 1ST SEPTEMBER 2023 AT 12:00 NOON

VALIDITY PERIOD: 120 DAYS

SPECIAL CONDITIONS OF CONTRACT

1. ERWATS OBJECTIVES:

The aim of this bid is to increase the service delivery level of the ERWAT to both its internal and external clients. This will be done by way of the following:

- Reduction in the number of quotation requests
- Improved turn-around times for obtaining purchase orders
- More focused approached to the Entity's core functions.

2. CONTRACT PERIOD:

The appointment is for a Maximum period of thirty-six (36) months limited to three (3) financial periods as determined by the Municipal Finance Management Act (MFMA), on an as and when required basis.

The award is subject to a probation period of Twelve (12) months, whereby if your performance is not to the satisfaction of ERWAT, the contract will automatically lapse after the Twelve (12) months' probation. The contract will thus continue after the 12th month performance evaluation session if deemed to be to the satisfaction of ERWAT as indicated in the performance evaluation document.

If the tender is found to be unauthorised, fruitless and wasteful or irregular as informed through a formal investigation, internal and or external audit outcome, ERWAT reserves the right to cancel the tender with immediate effect and the bidder will have no claim to this effect whatsoever. The final terms of payment (where applicable) will be negotiated with the bidder at the time for final close out of the contract.

3. CONTRAT PRICE ADJUSTMENTS FOR LONG TERM CONTRACTS RUNNING OVER A ONE YEAR PERIOD (TERM CONTRACTS):

NON-FIRM TENDERS:

This is a non-firm tender. Any price adjustment requests must be in writing and reach the office of the Supply Chain Management Unit at least one month before the envisaged price increase date and is usually due at the anniversary of this tender which is deemed to be the date of the last signatory on the Service Level Agreement.

Bidders will be required to submit supporting documentation in support of the increase value as motivation.

The price adjustments will be done in accordance with the following provisions.

ALTERNATIVE CONTRACT PRICE ADJUSTMENT:

BID PRICE(S) MUST BE FIXED FOR THE FIRST 12 MONTHS AFTER THE BASE MONTH WITH BASE MONTH BEING ONE MONTH PRIOR TO CLOSING OF BID

In the event that the CPI is deemed to not suffice based on external factors out of the bidders and ERWAT's control, bidders will be required to complete the following table using the contract price adjustment formula with supporting evidence to justify the increase lower or higher than the CPI % at the time of the anniversary of the bid.

IN THIS CATEGORY PRICE ESCALATIONS WILL ONLY BE CONSIDERED IN TERMS OF THE FOLLOWING FORMULA:

$$Pa = (1 - V)Pt \left(D1 \frac{R1t}{R1o} + D2 \frac{R2t}{R2o} + D3 \frac{R3t}{R3o} + D4 \frac{R4t}{R4o} \right) + VPt$$

Where:

- Pa = The new escalated price to be calculated.
- (1-V) Pt = 85% of the original bid price. **Note that Pt must always be the original bid price and not an escalated price.**
- D1, D2.. = Each factor of the bid price e.g. labour, transport, clothing, footwear, etc. The total of the various factors D1,D2...etc. must add up to 100%.
- R1t, R2t... = Index figure obtained from new index (depends on the number of factors used).
- R1o, R2o = Index figure at time of bidding.
- VPt = 15% of the original bid price. This portion of the bid price remains firm i.e. it is not subject to any price escalations.

FURNISH A BREAKDOWN OF YOUR PRICE IN TERMS OF ABOVE-MENTIONED FORMULA. THE TOTAL OF THE VARIOUS FACTORS MUST ADD UP TO 100%.

FACTOR (D1, D2 etc. e.g. Labour, transport etc.)	PERCENTAGE OF BID PRICE



RETUNABLE MUNICIPAL BIDDING DOCUMENTS (MBD)

CONFIRMATION OF REGISTRATION ON NATIONAL TREASURY CENTRALISED SUPPLIER DATABASE

CONFIRMATION OF CSD VENDOR INFORMATION		
1	VENDOR NAME	
2	CSD APPROVED NUMBER	M _____
3	COMPANY REG NUMBER	
4	COMPANY TAX NUMBER	
5	COMPANY VAT NUMBER	
7	CONTACT PERSON	
8	OFFICE TEL. NUMBER	
9	OFFICE FAX NUMBER	
10	E-MAIL ADDRESS	
11	CELL NUMBER	

I, _____ in my capacity as _____ being the authorized signatory, hereby declare that the above information is true and correct.

AUTHORISED SIGNATORY DESIGNATION

NAME AND SURNAME

RESOLUTION DATE: AUTHORISED SIGNATORY APPOINTMENT

SIGNATURE

DATE

AUTHORITY OF SIGNATORY TO SIGN BIDS

The bid shall be signed by a person duly authorised thereto and the following is applicable:

Company: A resolution by its board of directors authorising a director or other official of the company to sign the documents on behalf of the company.

Close Corporation: A resolution by its members authorising a member or other official of the corporation to sign the documents on each member's behalf.

Partnership: All the partners shall sign the documents unless one partner or a group of partners has been authorised to sign on behalf of each partner, in which case proof of such authorisation shall be included in the bid.

Joint Venture: Should two or more firms jointly submit a bid, the bid shall be accompanied by the document of establishment of the joint venture, duly registered and authenticated by a notary public or other official deputed to witness sworn statements, which defines the conditions under which the joint venture will function, the period of duration, the persons authorised to represent the Joint Venture and who are obligated thereby, the participation of the several firms forming the joint venture, and well as any other information necessary to permit a full appraisal of its functioning.

One Man Concern: This shall be clearly stated and all documents shall be signed accordingly.

Details of person responsible for Bid Document process:

Name :

Contact number :

Office address :

Signatories for close corporations and companies shall confirm their authority by attaching to this form a **duly signed and dated original or certified copy on the Company Letterhead** of the relevant resolution of their members or their board of directors, as the case may be.

PRO-FORMA FOR COMPANIES AND CLOSE CORPORATIONS:

"By resolution of the board of directors passed on *(date)* _____

Prof./Dr/Mr/Ms _____

has been duly authorized to sign all documents in connection with the Bid Document for Contract Number _____ and any Contract which may arise there from on

behalf of _____

(BLOCK CAPTIALS)

SIGNED ON BEHALF OF THE COMPANY _____

IN HIS CAPACITY AS _____

DATE _____

FULL NAMES OF SIGNATORY _____

AS WITNESSES: 1. _____

2. _____

**PRO-FORMA FOR JOINT VENTURES:
Certificate of Authority for Joint Ventures**

We, the undersigned, are submitting this Bid Document offer in Joint Venture and hereby authorise Mr/Ms _____, authorised signatory of the company _____, acting in the capacity of lead partner, to sign all documents in connection with the Bid Document offer an any contract resulting from it on our behalf.

NAME OF FIRM	ADDRESS	DULY AUTHORISED SIGNATORY
		Signature: Name: Designation:
		Signature: Name: Designation:
		Signature: Name: Designation:
		Signature: Name: Designation:

N.B.: THE DULY SIGNED AND DATED ORIGINAL OR CERTIFIED COPY OF AUTHORITY OF SIGNATORY ON COMPANY LETTERHEAD SHOULD BE INCLUDED IN THE RETURNABLE DOCUMENTS PACK.

PRICING SCHEDULE – NON-FIRM PRICES

(PURCHASES)

NOTE: PRICE ADJUSTMENTS WILL BE ALLOWED AT THE PRERIODS AND TIMES SPECIFIED IN THE BIDDING DOCUMENTS

IN CASES WHERE DIFFERENT DELIVERY POINTS INFLUENCE THE PRICING, A SEPARATE PRICING SCHEDULE MUST BE SUBMITTED FOR EACH DELIVERY POINT

NAME OF BIDDER: _____

BID ERW2303/02: APPOINTMENT OF SERVICE PROVIDER/S FOR THE MAINTENANCE, REPAIRS AND SUPPLY OF ASSOCIATED EQUIPMENT IN RELATION TO MEDIUM VOLTAGE EQUIPMENT ON ALL ERWAT SITES FOR A FIXE TERM PERIOD ON AN AS AND WHEN REQUIRED BASIS

CLOSING DATE: FRIDAY, 1ST SEPTEMBER 2023 @ 12:00 NOON

OFFER TO BE VALID FOR 120 DAYS FROM THE CLOSING DATE OF BID.

ITEM NO.	DESCRIPTION	BID PRICE IN RSA CURRENCY **(ALL APPLICABLE TAXES INCLUDED)
----------	-------------	--

Kindly refer to the pricing schedule attached to this document.

Required by: **THE MAINTENANCE DEPARTMENT**

At: **EKURHULENI WATER CARE COMPANY**

Brand and Model: **REFER TO THE SCOPE OF WORKS FOR CURRENT INFRASTRUCTURE**

Country of Origin: **TO BE CONFIRMED AT THE SIGNING OF SLA**

Does the offer comply with the specification(s)? *YES/NO

If not to specification, indicate deviation(s): _____

Period required for delivery: _____

Delivery: *Firm/Not firm

Delivery basis : **TO BE DETERMINED AT THE CONCLUSION OF THE SERVICE LEVEL AGREEMENT**

Note: All delivery costs must be included in the bid price, for delivery at the prescribed destination.

** “all applicable taxes” includes value- added tax, pay as you earn, income tax, unemployment insurance fund contributions and skills development levies.

*Delete if not applicable

PRICE ADJUSTMENTS

A NON-FIRM PRICES SUBJECT TO ESCALATION

1. In cases of period contracts, non-firm prices will be adjusted (loaded) with the assessed contract price adjustments implicit in non-firm prices when calculating the comparative prices

In this category price escalations will only be considered in terms of the following formula:

$$Pa = (1 - V)Pt \left(D1 \frac{R1t}{R1o} + D2 \frac{R2t}{R2o} + D3 \frac{R3t}{R3o} + D4 \frac{R4t}{R4o} \right) + VPt$$

Where:

- Pa = The new escalated price to be calculated.
- (1-V) Pt = 85% of the original bid price. Note that Pt must always be the original bid price and not an escalated price.
- D1, D2.. = Each factor of the bid price e.g. labour, transport, clothing, footwear, etc. The total of the various factors D1,D2...etc. must add up to 100%.
- R1t, R2t...= Index figure obtained from new index (depends on the number of factors used).
- R1o, R2o = Index figure at time of bidding.
- VPt = 15% of the original bid price. This portion of the bid price remains firm i.e. it is not subject to any price escalations.

3. The following index/indices must be used to calculate your bid price:

Index: USD as at date of closing of tender: _____

Index: ZAR as at date of closing of tender: _____

Index: EURO as at date of closing of tender: _____

Index: Other _____ as at date of closing of tender: _____

4. Furnish a breakdown of your price in terms of above-mentioned formula. The total of the various factors must add up to 100%.

FACTOR (D1, D2 etc. e.g., Labour, transport etc.)	PERCENTAGE OF BID PRICE

B PRICES SUBJECT TO RATE OF EXCHANGE VARIATIONS

1. Please furnish full particulars of your financial institution, state the currencies used in the conversion of the prices of the items to South African currency, which portion of the price is subject to rate of exchange variations and the amounts remitted abroad.

Particulars Of Financial Institution	Item No	Price	Currency	Rate	Portion Of Price Subject to Roe	Amount In Foreign Currency Remitted Abroad
				ZAR=		
				ZAR=		
				ZAR=		
				ZAR=		
				ZAR=		
				ZAR=		

2. Adjustments for rate of exchange variations during the contract period will be calculated by using the average monthly exchange rates as issued by your commercial bank for the periods indicated hereunder: (Proof from bank required)

Average Monthly Exchange Rates for The Period:	Date Documentation Must Be Submitted to This Office	Date From Which New Calculated Prices Will Become Effective	Date Until Which New Calculated Price Will Be Effective

DECLARATION OF INTEREST

- 1. No bid will be accepted from persons in the service of the state.
- 2. Any person, having a kinship with persons in the service of the state, including a blood relationship, may make an offer or offers in terms of this invitation to bid. In view of possible allegations of favouritism, should the resulting bid, or part thereof, be awarded to persons connected with or related to persons in service of the state, it is required that the bidder or their authorised representative declare their position in relation to the evaluating/adjudicating authority.
- 3. A Person who is an advisor or consultant contracted with the municipality.
- 4. In order to give effect to the above, the following questionnaire must be completed and submitted with the bid.

4.1 Full Name of bidder or his or her representative: _____

4.2 Identity Number:

--	--	--	--	--	--	--	--	--	--	--	--	--	--

4.3 Position occupied in the Company (director, trustee, shareholder²):

4.4 Company Registration Number: _____

4.5 Tax Reference Number: _____

4.6 VAT Registration Number: _____

4.7 The names of all directors / trustees / shareholder’s members, their individual identity numbers and state employee numbers must be indicated in paragraph 5 below.

4.8 Are you presently in the service of the state? **YES / NO**
If so, furnish particulars.

4.9 Have you been in the service of the state for the past twelve months? **YES / NO**
If so, furnish particulars.

4.10 Do you have any relationship (family, friend, other) with persons in the service of the state and who may be involved with the evaluation and or adjudication of this bid? **YES / NO**
If so, furnish particulars.

4.11 Are you, aware of any relationship (family, friend, other) between any other bidder and any persons in the service of the state who may be involved with the evaluation and or adjudication of this bid?

YES / NO

If so, furnish particulars.

4.12 Are any of the company's directors, trustees, managers, principle shareholders or stakeholders in service of the state?

YES / NO

If so, furnish particulars.

4.13 Are any spouse, child or parent of the company's directors, trustees, managers, principle shareholders or stakeholders in service of the state?

YES / NO

If so, furnish particulars.

4.14 Do you or any of the directors, trustees, managers, principle shareholders, or stakeholders of this company have any interest in any other related companies or business whether or not they are bidding for this contract?

YES / NO

If so, furnish particulars.

5. Full details of directors / trustees / members / shareholders.

FULL NAME	IDENTITY NUMBER	STATE EMPLOYEE NUMBER

1 MSCM Regulations: "in the service of the state" means to be –

- (a) A member of –
 - any municipal council/entity;
 - any provincial legislature; or
 - the national Assembly or the national Council of provinces;
- (b) a member of the board of directors of any municipal entity;
- (c) an official of any municipality or municipal entity;
- (d) an employee of any national or provincial department, national or provincial public entity or constitutional institution within the meaning of the public Finance Management Act, 1999 (Act No 1 of 1999);
- (e) a member of the accounting authority of any national or provincial public entity; or
- (f) an employee of Parliament or a provincial legislature.

² Shareholder" means a person who owns shares in the company and is actively involved in the management of the company or business and exercises control over the company.

CERTIFICATION

**I, THE UNDERSIGNED (NAME) _____
CERTIFY THAT THE INFORMATION FURNISHED ON THIS DECLARATION FORM IS CORRECT.**

I ACCEPT THAT THE STATE MAY ACT AGAINST ME SHOULD THIS DECLARATION PROVE TO BE FALSE.

SIGNATURE

DATE

POSITION

NAME OF BIDDER

DECLARATION FOR PROCUREMENT ABOVE R10 MILLION (ALL APPLICABLE TAXES INCLUDED)

For all procurement expected to exceed R10 million (all applicable taxes included), bidders must complete the following questionnaire.

Bidders are required to submit audited financial statements for the past three years for bids where the threshold exceeds R10 million if they are required to prepare annual financial statements for auditing by law

1 Are you by law required to prepare annual financial statements for auditing? ***YES/NO**

1.1 If yes, submit audited annual financial statements for the past three years or since the date of establishment if established during the past three years.

2 Do you have any outstanding undisputed commitments for municipal services towards any municipality for more than three months or any other service provider in respect of which payment is overdue for more than 30 days? ***YES/NO**

2.1 If no, this serves to certify that the bidder has no undisputed commitments for municipal services towards any municipality for more than three months or other service provider in respect of which payment is overdue for more than 30 days.

2.2 If yes, provide particulars.

3 Has any contract been awarded to you by an organ of state during the past five years, including particulars of any material non-compliance or dispute concerning the execution of such contract? ***YES/ NO**

3.1 If yes, furnish particulars

4 Will any portion of goods or services be sourced from outside the Republic, and, if so, what portion and whether any portion of payment from the municipality / municipal entity is expected to be transferred out of the Republic? ***YES / NO**

** Delete if not applicable*

4.1 If yes, furnish particulars

CERTIFICATION

I, THE UNDERSIGNED (NAME) _____

CERTIFY THAT THE INFORMATION FURNISHED ON THIS DECLARATION FORM IS CORRECT.

I ACCEPT THAT THE STATE MAY ACT AGAINST ME SHOULD THIS DECLARATION PROVE TO BE FALSE.

SIGNATURE

DATE

POSITION

NAME OF BIDDER

PREFERENCE POINTS CLAIM FORM IN TERMS OF THE PREFERENTIAL PROCUREMENT REGULATIONS 2022

This preference form must form part of all tenders invited. It contains general information and serves as a claim form for preference points for specific goals.

NB: BEFORE COMPLETING THIS FORM, TENDERERS MUST STUDY THE GENERAL CONDITIONS, DEFINITIONS AND DIRECTIVES APPLICABLE IN RESPECT OF THE TENDER AND PREFERENTIAL PROCUREMENT REGULATIONS, 2022

GENERAL CONDITIONS

The following preference point systems are applicable to invitations to tender:

the 80/20 system for requirements with a Rand value of up to R50 000 000 (all applicable taxes included); and
 the 90/10 system for requirements with a Rand value above R50 000 000 (all applicable taxes included).

The applicable preference point system for this tender is the 90/10 preference point system and shall be awarded for:

- Price; and
- Specific Goals.

The maximum points for this tender are allocated as follows:

	POINTS
PRICE	90
SPECIFIC GOALS	10
Total points for Price and SPECIFIC GOALS	100

Failure on the part of a tenderer to submit proof or documentation required in terms of this tender to claim points for specific goals with the tender, will be interpreted to mean that preference points for specific goals are not claimed.

The organ of state reserves the right to require of a tenderer, either before a tender is adjudicated or at any time subsequently, to substantiate any claim in regard to preferences, in any manner required by the organ of state.

DEFINITIONS

“tender” means a written offer in the form determined by an organ of state in response to an invitation to provide goods or services through price quotations, competitive tendering process or any other method envisaged in legislation;

“price” means an amount of money tendered for goods or services, and includes all applicable taxes less all unconditional discounts;

“rand value” means the total estimated value of a contract in Rand, calculated at the time of bid invitation, and includes all applicable taxes;

“tender for income-generating contracts” means a written offer in the form determined by an organ of state in response to an invitation for the origination of income-generating contracts through any method envisaged in legislation that will result in a legal agreement between the organ of state and a third party that produces revenue for the organ of state, and includes, but is not limited to, leasing and disposal of assets and concession contracts, excluding direct sales and disposal of assets through public auctions; and

“the Act” means the Preferential Procurement Policy Framework Act, 2000 (Act No. 5 of 2000).

FORMULAE FOR PROCUREMENT OF GOODS AND SERVICES

POINTS AWARDED FOR PRICE

3.1.1 THE 90/10 PREFERENCE POINT SYSTEMS

A maximum of 90 points is allocated for price on the following basis:

$$Ps = 90 \left(1 - \frac{Pt - Pmin}{Pmin} \right)$$

Where

Ps = Points scored for price of tender under consideration

Pt = Price of tender under consideration

Pmin = Price of lowest acceptable tender

POINTS AWARDED FOR SPECIFIC GOALS

In terms of Regulation 4(2); 5(2); 6(2) and 7(2) of the Preferential Procurement Regulations, preference points must be awarded for specific goals stated in the tender. For the purposes of this tender the tenderer will be allocated points based on the goals stated in table 1 below as may be supported by proof/ documentation stated in the conditions of this tender:

Table 1: Specific goals for the tender and points claimed are indicated per the table below.

Note to tenderers: The tenderer must indicate how they claim points for each preference point system.)

The specific goals allocated points in terms of this tender	Number of points allocated (90/10 system)	Number of points claimed (90/10 system) (To be completed by the tenderer)
EME or QSE 51% owned by women	2	
EME or QSE 51% owned by youth	2	
EME or QSE 51% owned by people with disabilities	2	
EME or QSE 51% owned by military veterans	2	
EME or QSE within the boundaries of Ekurhuleni Municipality	2	

The above information will be verified in accordance with the bidders B-BBEE certificate, and or a certificate from the companies and intellectual property commission (CIPC), the department of Military Veterans and or other supporting documents. All supporting evidence must be submitted in order to claim the preferential procurement points claimed. ERWAT reserves the right to verify the information submitted.

In the case of multi-parties (Joint ventures, consortiums, partnerships, etc.), allocation of points will be calculated by adding the individual parties in the JV, etc. ownership % together; divide the total by the number of parties in the respective joint ventures, consortiums, partnerships, etc. The average % will thus be the indicating factor for the number of points to be scored limited to the maximum available points.

e.g. Joint venture:

Party 1 = 51% EME/QSE owned by women

Party 2 = 100% EME/QSE owned by women

= **151%** / 2 parties in the JV = 75% and will score = 4 points

The above principle will apply to points 1, 2, 3 & 4 indicated in Table 1 above.

For point 5: The collective JV agreement's address, or the Lead JV partners' domicile Address will be utilized for scoring of points.

DECLARATION WITH REGARD TO COMPANY/FIRM

Name of company/firm: _____

Company registration number: _____

TYPE OF COMPANY/ FIRM

- Partnership/Joint Venture / Consortium
- One-person business/sole propriety
- Close corporation
- Public Company
- Personal Liability Company
- (Pty) Limited
- Non-Profit Company
- State Owned Company

[TICK APPLICABLE BOX]

I, the undersigned, who is duly authorised to do so on behalf of the company/firm, certify that the points claimed, based on the specific goals as advised in the tender, qualifies the company/ firm for the preference(s) shown and I acknowledge that:

- The information furnished is true and correct;
- The preference points claimed are in accordance with the General Conditions as indicated in paragraph 1 of this form;
- In the event of a contract being awarded as a result of points claimed as shown in paragraphs 1.4 and 4.2, the contractor may be required to furnish documentary proof to the satisfaction of the organ of state that the claims are correct;
- If the specific goals have been claimed or obtained on a fraudulent basis or any of the conditions of contract have not been fulfilled, the organ of state may, in addition to any other remedy it may have –
 - disqualify the person from the tendering process;
 - recover costs, losses or damages it has incurred or suffered as a result of that person’s conduct;
 - cancel the contract and claim any damages which it has suffered as a result of having to make less favourable arrangements due to such cancellation;
 - recommend that the tenderer or contractor, its shareholders and directors, or only the shareholders and directors who acted on a fraudulent basis, be restricted from obtaining business from any organ of state for a period not exceeding 10 years, after the *audi alteram partem* (hear the other side) rule has been applied; and
 - forward the matter for criminal prosecution, if deemed necessary.

Company name: _____

Company address: _____

Name& Surname of Representative: _____

Signature Of Bidder: _____

Designation: _____

Date: _____

DECLARATION OF BIDDER'S PAST SUPPLY CHAIN MANAGEMENT PRACTICES

This Municipal Bidding Document must form part of all bids invited.

It serves as a declaration to be used by municipalities and municipal entities in ensuring that when goods and services are being procured, all reasonable steps are taken to combat the abuse of the supply chain management system.

The bid of any bidder may be rejected if that bidder, or any of its directors have:

- abused the company's / municipal entity's supply chain management system or committed any improper conduct in relation to such system;
- been convicted for fraud or corruption during the past five years;
- willfully neglected, reneged on or failed to comply with any government, municipal or other public sector contract during the past five years; or
- Been listed in the Register for Tender Defaulters in terms of section 29 of the Prevention and Combating of Corrupt Activities Act (No 12 of 2004).

In order to give effect to the above, the following questionnaire must be completed and submitted with the bid.

Item	Question	Yes	No
4.1	<p>Is the bidder or any of its directors listed on the National Treasury's Database of Restricted Suppliers as companies or persons prohibited from doing business with the public sector?</p> <p>(Companies or persons who are listed on this Database were informed in writing of this restriction by the Accounting Officer/Authority of the institution that imposed the restriction after the <i>audi alteram partem</i> rule was applied).</p> <p>The Database of Restricted Suppliers now resides on the National Treasury's website (www.treasury.gov.za) and can be accessed by clicking on its link at the bottom of the home page.</p>	<p>Yes</p> <input type="checkbox"/>	<p>No</p> <input type="checkbox"/>
4.1.1	If so, furnish particulars:		
4.2	<p>Is the bidder or any of its directors listed on the Register for Tender Defaulters in terms of section 29 of the Prevention and Combating of Corrupt Activities Act (No 12 of 2004)?</p> <p>The Register for Tender Defaulters can be accessed on the National Treasury's website (www.treasury.gov.za) by clicking on its link at the bottom of the home page.</p>	<p>Yes</p> <input type="checkbox"/>	<p>No</p> <input type="checkbox"/>
4.2.1	If so, furnish particulars:		
4.3	<p>Was the bidder or any of its directors convicted by a court of law (including a court of law outside the Republic of South Africa) for fraud or corruption during the past five years?</p>	<p>Yes</p> <input type="checkbox"/>	<p>No</p> <input type="checkbox"/>
4.3.1	If so, furnish particulars:		
4.4	<p>Does the bidder or any of its directors owe any municipal rates and taxes or municipal charges to the company / municipal entity, or to any other municipality / municipal entity, that is in arrears for more than three months?</p>	<p>Yes</p> <input type="checkbox"/>	<p>No</p> <input type="checkbox"/>

4.4.1	If so, furnish particulars:		
4.5	Was any contract between the bidder and the municipality / municipal entity or any other organ of state terminated during the past five years on account of failure to perform on or comply with the contract?	Yes <input type="checkbox"/>	No <input type="checkbox"/>
4.5.1	If so, furnish particulars:		

CERTIFICATION

I, the undersigned (full name _____) certify that the information furnished on this declaration form is true and correct. I accept that, in addition to cancellation of a contract, action may be taken against me should this declaration prove to be false.

Name & Surname of Representative: _____

Signature Of Bidder: _____

Designation: _____

Date: _____

CERTIFICATE OF INDEPENDENT BID DETERMINATION

1. This Municipal Bidding Document (MBD) must form part of all bids¹ invited.
2. Section 4 (1) (b) (iii) of the Competition Act No. 89 of 1998, as amended, prohibits an agreement between, or concerted practice by, firms, or a decision by an association of firms, if it is between parties in a horizontal relationship and if it involves collusive bidding (or bid rigging).² Collusive bidding is a *pe se* prohibition meaning that it cannot be justified under any grounds.
3. Municipal Supply Regulation 38 (1) prescribes that a supply chain management policy must provide measures for the combating of abuse of the supply chain management system, and must enable the accounting officer, among others, to:
 - a. take all reasonable steps to prevent such abuse;
 - b. reject the bid of any bidder if that bidder or any of its directors has abused the supply chain management system of the municipality or municipal entity or has committed any improper conduct in relation to such system; and
 - c. cancel a contract awarded to a person if the person committed any corrupt or fraudulent act during the bidding process or the execution of the contract.
4. This MBD serves as a certificate of declaration that would be used by institutions to ensure that, when bids are considered, reasonable steps are taken to prevent any form of bid-rigging.
5. In order to give effect to the above, the attached Certificate of Bid Determination (MBD 9) must be completed and submitted with the bid:

¹ *Includes price quotations, advertised competitive bids, limited bids and proposals.*

² *Bid rigging (or collusive bidding) occurs when businesses, that would otherwise be expected to compete, secretly conspire to raise prices or lower the quality of goods and / or services for purchasers who wish to acquire goods and / or services through a bidding process. Bid rigging is, therefore, an agreement between competitors not to compete.*

CERTIFICATE OF INDEPENDENT BID DETERMINATION

I, the undersigned, in submitting the accompanying bid:

BID ERW2303/02: APPOINTMENT OF SERVICE PROVIDER/S FOR THE MAINTENANCE, REPAIRS AND SUPPLY OF ASSOCIATED EQUIPMENT IN RELATION TO MEDIUM VOLTAGE EQUIPMENT ON ALL ERWAT SITES FOR A FIXE TERM PERIOD ON AN AS AND WHEN REQUIRED BASIS

in response to the invitation for the bid made by:

EKURHULENI WATER CARE COMPANY (ERWAT)

do hereby make the following statements that I certify to be true and complete in every respect:

I certify, on behalf of _____ (Name of Bidder) that:

1. I have read and I understand the contents of this Certificate;
2. I understand that the accompanying bid will be disqualified if this Certificate is found not to be true and complete in every respect;
3. I am authorized by the bidder to sign this Certificate, and to submit the accompanying bid, on behalf of the bidder;
4. Each person whose signature appears on the accompanying bid has been authorized by the bidder to determine the terms of, and to sign, the bid, on behalf of the bidder;
5. For the purposes of this Certificate and the accompanying bid, I understand that the word "competitor" shall include any individual or organization, other than the bidder, whether or not affiliated with the bidder, who:
 - (a) has been requested to submit a bid in response to this bid invitation;
 - (b) could potentially submit a bid in response to this bid invitation, based on their qualifications, abilities or experience; and
 - (c) provides the same goods and services as the bidder and/or is in the same line of business as the bidder
6. The bidder has arrived at the accompanying bid independently from, and without consultation, communication, agreement or arrangement with any competitor. However, communication between partners in a joint venture or consortium³ will not be construed as collusive bidding.
7. In particular, without limiting the generality of paragraphs 6 above, there has been no consultation, communication, agreement or arrangement with any competitor regarding:
 - (a) prices;
 - (b) geographical area where product or service will be rendered (market allocation)
 - (c) methods, factors or formulas used to calculate prices;
 - (d) the intention or decision to submit or not to submit, a bid;
 - (e) the submission of a bid which does not meet the specifications and conditions of the bid; or
 - (f) bidding with the intention not to win the bid.
8. In addition, there have been no consultations, communications, agreements or arrangements with any competitor regarding the quality, quantity, specifications and conditions or delivery particulars of the products or services to which this bid invitation relates.

³ *Joint venture or Consortium means an association of persons for the purpose of combining their expertise, property, capital, efforts, skill and knowledge in an activity for the execution of a contract.*

9. The terms of the accompanying bid have not been, and will not be, disclosed by the bidder, directly or indirectly, to any competitor, prior to the date and time of the official bid opening or of the awarding of the contract.

10. I am aware that, in addition and without prejudice to any other remedy provided to combat any restrictive practices related to bids and contracts, bids that are suspicious will be reported to the Competition Commission for investigation and possible imposition of administrative penalties in terms of section 59 of the Competition Act No. 89 of 1998 and or may be reported to the National Prosecuting Authority (NPA) for criminal investigation and or may be restricted from conducting business with the public sector for a period not exceeding ten (10) years in terms of the Prevention and Combating of Corrupt Activities Act No. 12 of 2004 or any other applicable legislation.

SIGNATURE

DATE

POSITION

NAME OF BIDDER

POPIA CONSENT FORM

PROTECTION OF PERSONAL INFORMATION ACT, 4 OF 2013

By signing this referral form:

- a) I/we hereby grant my/our voluntary consent that my/our personal information may be processed, collected, used and disclosed in compliance with the Protection of Personal Information Act, 4 of 2013.
- b) I/we furthermore agree that my/our personal information may be used for the lawful and reasonable purposes in as far as the ERWAT (responsible party) must use my/our information in the performance of its public legal duty.
- c) I/we understand that my/our personal information may be disclosed to a third party in as far as the ERWAT must fulfil its public legal duty.
- d) I/we furthermore understand that there are instances in terms of abovementioned Act where my express consent is not necessary to permit the processing of personal information, which may be related to litigation or when the information is publicly available. Further details are available on the ERWAT website.

Company name: _____

Company address: _____

Name & Surname of Representative: _____

Signature Of Bidder: _____

Designation: _____

Date: _____

GENERAL CONDITIONS OF CONTRACT

THE NATIONAL TREASURY

Republic of South Africa



**GOVERNMENT PROCUREMENT:
GENERAL CONDITIONS OF CONTRACT**

July 2010

TABLE OF CLAUSES

1. Definitions
2. Application
3. General
4. Standards
5. Use of contract documents and information inspection
6. Patent Rights
7. Performance security
8. Inspections, tests and analyses
9. Packing
10. Delivery and documents
11. Insurance
12. Transportation
13. Incidental Services
14. Spare parts
15. Warranty
16. Payment
17. Prices
18. Variation orders
19. Assignment
20. Subcontracts
21. Delays in the supplier's performance
22. Penalties
23. Termination for default
24. Anti-dumping and countervailing duties and rights
25. Force Majeure
26. Termination for insolvency
27. Settlement of Disputes
28. Limitation of Liability
29. Governing language
30. Applicable law
31. Notices
32. Taxes and duties
33. Transfer of contracts
34. Amendments of contracts
35. Prohibition of restrictive practices

GENERAL CONDITIONS OF CONTRACT

1. Definitions

The following terms shall be interpreted as indicated:

- 1.1 “Closing time” means the date and hour specified in the bidding documents for the receipt of bids.
- 1.2 “Contract” means the written agreement entered into between the purchaser and the supplier, as recorded in the contract form signed by the parties, including all attachments and appendices thereto and all documents incorporated by reference therein.
- 1.3 “Contract price” means the price payable to the supplier under the contract for the full and proper performance of his contractual obligations.
- 1.4 “Corrupt practice” means the offering, giving, receiving, or soliciting of anything of value to influence the action of a public official in the procurement process or in contract execution.
- 1.5 "Countervailing duties" are imposed in cases where an enterprise abroad is subsidized by its government and encouraged to market its products internationally.
- 1.6 “Country of origin” means the place where the goods were mined, grown or produced or from which the services are supplied. Goods are produced when, through manufacturing, processing or substantial and major assembly of components, a commercially recognized new product results that is substantially different in basic characteristics or in purpose or utility from its components.
- 1.7 “Day” means calendar day.
- 1.8 “Delivery” means delivery in compliance of the conditions of the contract or order.
- 1.9 “Delivery ex stock” means immediate delivery directly from stock actually on hand.
- 1.10 “Delivery into consignees store or to his site” means delivered and unloaded in the specified store or depot or on the specified site in compliance with the conditions of the contract or order, the supplier bearing all risks and charges involved until the goods are so delivered and a valid receipt is obtained.
- 1.11 "Dumping" occurs when a private enterprise abroad market its goods on own initiative in the RSA at lower prices than that of the country of origin and which have the potential to harm the local industries in the RSA.
- 1.12 " Force majeure" means an event beyond the control of the supplier and not involving the supplier's fault or negligence and not foreseeable. Such events may include, but is not restricted to, acts of the purchaser in its sovereign capacity, wars or revolutions, fires, floods, epidemics, quarantine restrictions and freight embargoes.
- 1.13 “Fraudulent practice” means a misrepresentation of facts in order to influence a procurement process or the execution of a contract to the detriment of any bidder, and includes collusive practice among bidders (prior to or after bid submission) designed to establish bid prices at artificial non-competitive levels and to deprive the bidder of the benefits of free and open competition.
- 1.14 “GCC” means the General Conditions of Contract.
- 1.15 “Goods” means all of the equipment, machinery, and/or other materials that the supplier is required to supply to the purchaser under the contract.

- 1.16 “Imported content” means that portion of the bidding price represented by the cost of components, parts or materials which have been or are still to be imported (whether by the supplier or his subcontractors) and which costs are inclusive of the costs abroad, plus freight and other direct importation costs such as landing costs, dock dues, import duty, sales duty or other similar tax or duty at the South African place of entry as well as transportation and handling charges to the factory in the Republic where the goods covered by the bid will be manufactured.
- 1.17 “Local content” means that portion of the bidding price, which is not included in the imported content provided that local manufacture does take place.
- 1.18 “Manufacture” means the production of products in a factory using labour, materials, components and machinery and includes other related value-adding activities.
- 1.19 “Order” means an official written order issued for the supply of goods or works or the rendering of a service.
- 1.20 “Project site,” where applicable, means the place indicated in bidding documents.
- 1.21 “Purchaser” means the organization purchasing the goods.
- 1.22 “Republic” means the Republic of South Africa.
- 1.23 “SCC” means the Special Conditions of Contract.
- 1.24 “Services” means those functional services ancillary to the supply of the goods, such as transportation and any other incidental services, such as installation, commissioning, provision of technical assistance, training, catering, gardening, security, maintenance and other such obligations of the supplier covered under the contract.
- 1.25 “Supplier” means the successful bidder who is awarded the contract to maintain and administer the required and specified service(s) to the State.
- 1.26 “Tort” means in breach of contract.
- 1.27 “Turnkey” means a procurement process where one service provider assumes total responsibility for all aspects of the project and delivers the full end product / service required by the contract.
- 1.28 “Written” or “in writing” means hand-written in ink or any form of electronic or mechanical writing.

2. Application

- 2.1 These general conditions are applicable to all bids, contracts and orders including bids for functional and professional services (excluding professional services related to the building and construction industry), sales, hiring, letting and the granting or acquiring of rights, but excluding immovable property, unless otherwise indicated in the bidding documents.
- 2.2 Where applicable, special conditions of contract are also laid down to cover specific goods, services or works.
- 2.3 Where such special conditions of contract are in conflict with these general conditions, the special conditions shall apply.

3. General

- 3.1 Unless otherwise indicated in the bidding documents, the purchaser shall not be liable for any expense incurred in the preparation and submission of a bid. Where applicable a non-refundable fee for documents may be charged.

3.2 Invitations to bid are usually published in locally distributed news media and on the municipality/municipal entity website.

4. Standards

4.1 The goods supplied shall conform to the standards mentioned in the bidding documents and specifications.

5. Use of contract documents and information inspection

5.1 The supplier shall not, without the purchaser's prior written consent, disclose the contract, or any provision thereof, or any specification, plan, drawing, pattern, sample, or information furnished by or on behalf of the purchaser in connection therewith, to any person other than a person employed by the supplier in the performance of the contract. Disclosure to any such employed person shall be made in confidence and shall extend only so far as may be necessary for purposes of such performance.

5.2 The supplier shall not, without the purchaser's prior written consent, make use of any document or information mentioned in GCC clause 5.1 except for purposes of performing the contract.

5.3 Any document, other than the contract itself mentioned in GCC clause 5.1 shall remain the property of the purchaser and shall be returned (all copies) to the purchaser on completion of the supplier's performance under the contract if so required by the purchaser.

5.4 The supplier shall permit the purchaser to inspect the supplier's records relating to the performance of the supplier and to have them audited by auditors appointed by the purchaser, if so required by the purchaser.

6. Patent Rights

6.1 The supplier shall indemnify the purchaser against all third-party claims of infringement of patent, trademark, or industrial design rights arising from use of the goods or any part thereof by the purchaser.

6.2 When a supplier developed documentation / projects for the municipality/ municipal entity, the intellectual, copy and patent rights or ownership of such documents or projects will vest in the municipality / municipal entity.

7. Performance security

7.1 Within thirty (30) days of receipt of the notification of contract award, the successful bidder shall furnish to the purchaser the performance security of the amount specified in SCC.

7.2 The proceeds of the performance security shall be payable to the purchaser as compensation for any loss resulting from the supplier's failure to complete his obligations under the contract.

7.3 The performance security shall be denominated in the currency of the contract, or in a freely convertible currency acceptable to the purchaser and shall be in one of the following forms:

a) a bank guarantee or an irrevocable letter of credit issued by a reputable bank located in the purchaser's country or abroad, acceptable to the purchaser, in the form provided in the bidding documents. Another form of acceptable to the purchaser; or

b) a cashiers' or certified cheque.

7.4 The performance security will be discharged by the purchaser and returned to the supplier not later than thirty (30) days following the date of completion of the supplier's performance obligations under the contract, including any warranty obligations, unless otherwise specified.

8. Inspections, tests and analyses

- 8.1 All pre-bidding testing will be for the account of the bidder.
- 8.2 If it is a bid condition that goods to be produced or services to be rendered should at any stage be subject to inspections, tests and analyses, the bidder or contractor's premises shall be open, at all reasonable hours, for inspection by a representative of the purchaser or organization acting on behalf of the purchaser.
- 8.3 If there are no inspection requirements indicated in the bidding documents and no mention is made in the contract, but during the contract period it is decided that inspections shall be carried out, the purchaser shall itself make the necessary arrangements, including payment arrangements with the testing authority concerned.
- 8.4 If the inspections, tests and analyses referred to in clauses 8.2 and 8.3 show the goods to be in accordance with the contract requirements, the cost of the inspections, tests and analyses shall be defrayed by the purchaser.
- 8.5 Where the goods or services referred to in clauses 8.2 and 8.3 do not comply with the contract requirements, irrespective of whether such goods or services are accepted or not, the cost in connection with these inspections, tests or analyses shall be defrayed by the supplier.
- 8.6 Goods and services which are referred to in clauses 8.2 and 8.3 and which do not comply with the contract requirements may be ejected.
- 8.7 Any contract goods may on or after delivery be inspected, tested or analysed and may be rejected if found not to comply with the requirements of the contract. Such rejected goods shall be held at the cost and risk of the supplier who shall, when called upon, remove them immediately at his own cost and forthwith substitute them with goods, which do comply with the requirements of the contract. Failing such removal, the rejected goods shall be returned at the suppliers cost and risk. Should the supplier fail to provide the substitute goods forthwith, the purchaser may, without giving the supplier further opportunity to substitute the rejected goods, purchase such goods as may be necessary at the expense of the supplier.
- 8.8 The provisions of clauses 8.4 to 8.7 shall not prejudice the right of the purchaser to cancel the contract on account of a breach of the conditions thereof, or to act in terms of Clause 22 of GCC.

9. Packing

- 9.1 The supplier shall provide such packing of the goods as is required to prevent their damage or deterioration during transit to their final destination, as indicated in the contract. The packing shall be sufficient to withstand, without limitation, rough handling during transit and exposure to extreme temperatures, salt and precipitation during transit, and open storage. Packing, case size weights shall take into consideration, where appropriate, the remoteness of the goods' final destination and the absence of heavy handling facilities at all points in transit.
- 9.2 The packing, marking, and documentation within and outside the packages shall comply strictly with such special requirements as shall be expressly provided for in the contract, including additional requirements, if any, and in any subsequent instructions ordered by the purchaser.

10. Delivery and documents

- 10.1 Delivery of the goods and arrangements for shipping and clearance obligations, shall be made by the supplier in accordance with the terms specified in the contract.

11. Insurance

- 11.1 The goods supplied under the contract shall be fully insured in a freely convertible currency against loss or damage incidental to manufacture or acquisition, transportation, storage and delivery in the manner specified.

12. Transportation

12.1 Should a price other than an all-inclusive delivered price be required, this shall be specified.

13. Incidental Services

13.1 The supplier may be required to provide any or all of the following services, including additional services, if any:

- (a) Performance or supervision of on-site assembly and/or commissioning of the supplied goods;
- (b) Furnishing of tools required for assembly and/or maintenance of the supplied goods;
- (c) Furnishing of a detailed operations and maintenance manual for each appropriate unit of the supplied goods;
- (d) Performance or supervision or maintenance and/or repair of the supplied goods, for a period of time agreed by the parties, provided that this service shall not relieve the supplier of any warranty obligations under this contract; and
- (e) Training of the purchaser's personnel, at the supplier's plant and/or on-site, in assembly, start-up, operation, maintenance, and/or repair of the supplied goods.

13.2 Prices charged by the supplier for incidental services, if not included in the contract price for the goods, shall be agreed upon in advance by the parties and shall not exceed the prevailing rates charged to other parties by the supplier for similar services.

14. Spare parts

14.1 As specified, the supplier may be required to provide any or all of the following materials, notifications, and information pertaining to spare parts manufactured or distributed by the supplier:

- (a) such spare parts as the purchaser may elect to purchase from the supplier, provided that this election shall not relieve the supplier of any warranty obligations under the contract; and;
- (b) in the event of termination of production of the spare parts:
 - (i) advance notification to the purchaser of the pending termination, in sufficient time to permit the purchaser to procure needed requirements; and
 - (ii) following such termination, furnishing at no cost to the purchaser, the blueprints, drawings, and specifications of the spare parts, if requested.

15. Warranty

15.1 The supplier warrants that the goods supplied under the contract is new, unused, of the most recent or current models, and that they incorporate all recent improvements in design and materials unless provided otherwise in the contract. The supplier further warrants that all goods supplied under this contract shall have no defect, arising from design, materials, or workmanship (except when the design and/or material is required by the purchaser's specifications) or from any act or omission of the supplier, that may develop under normal use of the supplied goods in the conditions prevailing in the country of final destination.

15.2 This warranty shall remain valid for twelve (12) months after the goods, or any portion thereof as the case may be, have been delivered to and accepted at the final destination indicated in the contract, or for eighteen (18) months after the date of shipment from the port or place of loading in the source country, whichever period concludes earlier, unless specified otherwise.

- 15.3 The purchaser shall promptly notify the supplier in writing of any claims arising under this warranty.
- 15.4 Upon receipt of such notice, the supplier shall, within the period specified and with all reasonable speed, repair or replace the defective goods or parts thereof, without costs to the purchaser.
- 15.5 If the supplier, having been notified, fails to remedy the defect(s) within the period specified, the purchaser may proceed to take such remedial action as may be necessary, at the supplier's risk and expense and without prejudice to any other rights which the purchaser may have against the supplier under the contract.

16. Payment

- 16.1 The method and conditions of payment to be made to the supplier under this contract shall be specified.
- 16.2 The supplier shall furnish the purchaser with an invoice accompanied by a copy of the delivery note and upon fulfilment of other obligations stipulated in the contract.
- 16.3 Payments shall be made promptly by the purchaser, but in no case later than thirty (30) days after submission of an invoice or claim by the supplier.
- 16.4 Payment will be made in Rand unless otherwise stipulated.

17. Prices

- 17.1 Prices charged by the supplier for goods delivered and services performed under the contract shall not vary from the prices quoted by the supplier in his bid, with the exception of any price adjustments authorized or in the purchaser's request for bid validity extension, as the case may be.

18. Variation Orders

- 18.1 In cases where the estimated value of the envisaged changes in purchase does not vary more than 15% of the total value of the original contract, the contractor may be instructed to deliver the goods or render the services as such. In cases of measurable quantities, the contractor may be approached to reduce the unit price, and such offers may be accepted provided that there is no escalation in price.

19. Assignment

- 19.1 The supplier shall not assign, in whole or in part, its obligations to perform under the contract, except with the purchaser's prior written consent.

20. Subcontracts

- 20.1 The supplier shall notify the purchaser in writing of all subcontracts awarded under this contract if not already specified in the bid. Such notification, in the original bid or later, shall not relieve the supplier from any liability or obligation under the contract.

21. Delays in the supplier's performance

- 21.1 Delivery of the goods and performance of services shall be made by the supplier in accordance with the time schedule prescribed by the purchaser in the contract.
- 21.2 If at any time during performance of the contract, the supplier or its subcontractor(s) should encounter conditions impeding timely delivery of the goods and performance of services, the supplier shall promptly notify the purchaser in writing of the fact of the delay, its likely duration and its cause(s). As soon as practicable after receipt of the supplier's notice, the purchaser shall evaluate the situation and may at his discretion extend the supplier's time for performance, with

or without the imposition of penalties, in which case the extension shall be ratified by the parties by amendment of contract.

- 21.3 The right is reserved to procure outside of the contract small quantities or to have minor essential services executed if an emergency arises, the supplier's point of supply is not situated at or near the place where the goods are required, or the supplier's services are not readily available.
- 21.4 Except as provided under GCC Clause 25, a delay by the supplier in the performance of its delivery obligations shall render the supplier liable to the imposition of penalties, pursuant to GCC Clause 22, unless an extension of time is agreed upon pursuant to GCC Clause 22.2 without the application of penalties.
- 21.5 Upon any delay beyond the delivery period in the case of a goods contract, the purchaser shall, without cancelling the contract, be entitled to purchase goods of a similar quality and up to the same quantity in substitution of the goods not supplied in conformity with the contract and to return any goods delivered later at the supplier's expense and risk, or to cancel the contract and buy such goods as may be required to complete the contract and without prejudice to his other rights, be entitled to claim damages from the supplier.

22. Penalties

- 22.1 Subject to GCC Clause 25, if the supplier fails to deliver any or all of the goods or to perform the services within the period(s) specified in the contract, the purchaser shall, without prejudice to its other remedies under the contract, deduct from the contract price, as a penalty, a sum calculated on the delivered price of the delayed goods or unperformed services using the current prime interest rate calculated for each day of the delay until actual delivery or performance. The purchaser may also consider termination of the contract pursuant to GCC Clause 23.

23. Termination for default

- 23.1 The purchaser, without prejudice to any other remedy for breach of contract, by written notice of default sent to the supplier, may terminate this contract in whole or in part:
- (a) if the supplier fails to deliver any or all of the goods within the period(s) specified in the contract, or within any extension thereof granted by the purchaser pursuant to GCC Clause 21.2;
 - (a) if the supplier fails to perform any other obligation(s) under the contract; or
 - (c) if the supplier, in the judgement of the purchaser, has engaged in corrupt or fraudulent practices in competing for or in executing the contract.
- 23.2 In the event the purchaser terminates the contract in whole or in part, the purchaser may procure, upon such terms and in such manner, as it deems appropriate, goods, works or services similar to those undelivered, and the supplier shall be liable to the purchaser for any excess costs for such similar goods, works or services. However, the supplier shall continue performance of the contract to the extent not terminated.
- 23.3 Where the purchaser terminates the contract in whole or in part, the purchaser may decide to impose a restriction penalty on the supplier by prohibiting such supplier from doing business with the public sector for a period not exceeding 10 years.
- 23.4 If a purchaser intends imposing a restriction on a supplier or any person associated with the supplier, the supplier will be allowed a time period of not more than fourteen (14) days to provide reasons why the envisaged restriction should not be imposed. Should the supplier fail to respond within the stipulated fourteen (14) days the purchaser may regard the supplier as having no objection and proceed with the restriction.

- 23.5 Any restriction imposed on any person by the purchaser will, at the discretion of the purchaser, also be applicable to any other enterprise or any partner, manager, director or other person who wholly or partly exercises or exercised or may exercise control over the enterprise of the first-mentioned person, and with which enterprise or person the first-mentioned person, is or was in the opinion of the purchaser actively associated.
- 23.6 If a restriction is imposed, the purchaser must, within five (5) working days of such imposition, furnish the National Treasury, with the following information:
- (i) the name and address of the supplier and / or person restricted by the purchaser;
 - (ii) the date of commencement of the restriction
 - (iii) the period of restriction; and
 - (iv) the reasons for the restriction.

These details will be loaded in the National Treasury's central database of suppliers or persons prohibited from doing business with the public sector.

- 23.7 If a court of law convicts a person of an offence as contemplated in sections 12 or 13 of the Prevention and Combating of Corrupt Activities Act, No. 12 of 2004, the court may also rule that such person's name be endorsed on the Register for Tender Defaulters. When a person's name has been endorsed on the Register, the person will be prohibited from doing business with the public sector for a period not less than five years and not more than 10 years. The National Treasury is empowered to determine the period of restriction and each case will be dealt with on its own merits. According to section 32 of the Act the Register must be open to the public. The Register can be perused on the National Treasury website.

24. Anti-dumping and countervailing duties and rights

- 24.1 When, after the date of bid, provisional payments are required, or anti-dumping or countervailing duties are imposed, or the amount of a provisional payment or anti-dumping or countervailing right is increased in respect of any dumped or subsidized import, the State is not liable for any amount so required or imposed, or for the amount of any such increase. When, after the said date, such a provisional payment is no longer required or any such anti-dumping or countervailing right is abolished, or where the amount of such provisional payment or any such right is reduced, any such favourable difference shall on demand be paid forthwith by the supplier to the purchaser or the purchaser may deduct such amounts from moneys (if any) which may otherwise be due to the supplier in regard to goods or services which he delivered or rendered, or is to deliver or render in terms of the contract or any other contract or any other amount which may be due to him.

25. Force Majeure

- 25.1 Notwithstanding the provisions of GCC Clauses 22 and 23, the supplier shall not be liable for forfeiture of its performance security, damages, or termination for default if and to the extent that his delay in performance or other failure to perform his obligations under the contract is the result of an event of force majeure.
- 25.2 If a force majeure situation arises, the supplier shall promptly notify the purchaser in writing of such condition and the cause thereof. Unless otherwise directed by the purchaser in writing, the supplier shall continue to perform its obligations under the contract as far as is reasonably practical, and shall seek all reasonable alternative means for performance not prevented by the force majeure event.

26. Termination for insolvency

- 26.1 The purchaser may at any time terminate the contract by giving written notice to the supplier if the supplier becomes bankrupt or otherwise insolvent. In this event, termination will be without compensation to the supplier, provided that such termination will not prejudice or affect any right of action or remedy, which has accrued or will accrue thereafter to the purchaser.

27. Settlement of Disputes

- 27.1 If any dispute or difference of any kind whatsoever arises between the purchaser and the supplier in connection with or arising out of the contract, the parties shall make every effort to resolve amicably such dispute or difference by mutual consultation.
- 27.2 If, after thirty (30) days, the parties have failed to resolve their dispute or difference by such mutual consultation, then either the purchaser or the supplier may give notice to the other party of his intention to commence with mediation. No mediation in respect of this matter may be commenced unless such notice is given to the other party.
- 27.3 Should it not be possible to settle a dispute by means of mediation, it may be settled in a South African court of law.
- 27.4 Notwithstanding any reference to mediation and/or court proceedings herein,
- (a) the parties shall continue to perform their respective obligations under the contract unless they otherwise agree; and
 - (b) the purchaser shall pay the supplier any monies due the supplier for goods delivered and / or services rendered according to the prescripts of the contract.

28. Limitation of Liability

- 28.1 Except in cases of criminal negligence or wilful misconduct, and in the case of infringement pursuant to Clause 6
- (a) the supplier shall not be liable to the purchaser, whether in contract, tort, or otherwise, for any indirect or consequential loss or damage, loss of use, loss of production, or loss of profits or interest costs, provided that this exclusion shall not apply to any obligation of the supplier to pay penalties and/or damages to the purchaser; and
 - (b) the aggregate liability of the supplier to the purchaser, whether under the contract, in tort or otherwise, shall not exceed the total contract price, provided that this limitation shall not apply to the cost of repairing or replacing defective equipment.

29. Governing language

- 29.1 The contract shall be written in English. All correspondence and other documents pertaining to the contract that is exchanged by the parties shall also be written in English.

30. Applicable law

- 30.1 The contract shall be interpreted in accordance with South African laws, unless otherwise specified.

31. Notices

- 31.1 Every written acceptance of a bid shall be posted to the supplier concerned by registered or certified mail and any other notice to him shall be posted by ordinary mail to the address furnished in his bid or to the address notified later by him in writing and such posting shall be deemed to be proper service of such notice.
- 31.2 The time mentioned in the contract documents for performing any act after such aforesaid notice has been given, shall be reckoned from the date of posting of such notice.

32. Taxes and duties

- 32.1 A foreign supplier shall be entirely responsible for all taxes, stamp duties, license fees, and other such levies imposed outside the purchaser's country.

- 32.2 A local supplier shall be entirely responsible for all taxes, duties, license fees, etc., incurred until delivery of the contracted goods to the purchaser.
- 32.3 No contract shall be concluded with any bidder whose tax matters are not in order. Prior to the award of a bid SARS must have certified that the tax matters of the preferred bidder are in order.
- 32.4 No contract shall be concluded with any bidder whose municipal rates and taxes and municipal services charges are in arrears.

33. Transfer of contracts

- 33.1 The contractor shall not abandon, transfer, cede assign or sublet a contract or part thereof without the written permission of the purchaser.

34. Amendment of contracts

- 34.1 No agreement to amend or vary a contract or order or the conditions, stipulations or provisions thereof shall be valid and of any force unless such agreement to amend or vary is entered into in writing and signed by the contracting parties. Any waiver of the requirement that the agreement to amend or vary shall be in writing, shall also be in writing.

35. Prohibition of restrictive practices

- 35.1 In terms of section 4 (1) (b) (iii) of the Competition Act No. 89 of 1998, as amended, an agreement between, or concerted practice by, firms, or a decision by an association of firms, is prohibited if it is between parties in a horizontal relationship and if a bidder(s) is / are or a contractor(s) was / were involved in collusive bidding.
- 35.2 If a bidder(s) or contractor(s) based on reasonable grounds or evidence obtained by the purchaser has / have engaged in the restrictive practice referred to above, the purchaser may refer the matter to the Competition Commission for investigation and possible imposition of administrative penalties as contemplated in section 59 of the Competition Act No 89 Of 1998.
- 35.3 If a bidder(s) or contractor(s) has / have been found guilty by the Competition Commission of the restrictive practice referred to above, the purchaser may, in addition and without prejudice to any other remedy provided for, invalidate the bid(s) for such item(s) offered, and / or terminate the contract in whole or part, and / or restrict the bidder(s) or contractor(s) from conducting business with the public sector for a period not exceeding ten (10) years and / or claim damages from the bidder(s) or contractor(s) concerned.

CONTRACT FORM: PURCHASE OF GOODS/WORKS

PART 2 (TO BE FILLED IN BY THE ERWAT REPRESENTATIVE)

1. I _____ in my capacity as _____ accept your bid under reference number: *Bid ERW2303/02* dated _____ for the supply of goods/works indicated hereunder and/or further specified in the annexure(s).

2. An official order indicating delivery instructions is forthcoming.

3. I undertake to make payment for the goods/works delivered in accordance with the terms and conditions of the contract, within 30 (thirty) days after receipt of an invoice accompanied by the delivery note.

ITEM NO.	PRICE (ALL APPLICABLE TAXES INCLUDED)	BRAND	DELIVERY PERIOD	B-BBEE STATUS LEVEL OF CONTRIBUTION	MINIMUM THRESHOLD FOR LOCAL PRODUCTION AND CONTENT (if applicable)
	<i>Kindly refer to the pricing schedule/BOQ*</i>				

**** It is noted that this is rates based tender. The contract is limited to Purchase orders issued within the available budget allocated for such on an as and when required basis.***

4. I confirm that I am duly authorized to sign this contract.

NAME (PRINT) _____
 CAPACITY _____
 SIGNATURE _____
 NAME OF FIRM _____
 DATE _____

<p>WITNESSES</p> <p>1. _____</p> <p>2. _____</p> <p>DATE: _____</p>
--

CONTRACT FORM: RENDERING OF SERVICES

MBD7.2

THIS FORM MUST BE FILLED IN DUPLICATE BY BOTH THE SERVICE PROVIDER (PART 1) AND THE PURCHASER (PART 2). BOTH FORMS MUST BE SIGNED IN THE ORIGINAL SO THAT THE SERVICE PROVIDER AND THE PURCHASER WOULD BE IN POSSESSION OF ORIGINALLY SIGNED CONTRACTS FOR THEIR RESPECTIVE RECORDS.

PART 1 (TO BE FILLED IN BY THE BIDDER)

2. I hereby undertake to render services described in the attached bidding documents to (name of the institution) _____ in accordance with the requirements and task directives / proposals specifications stipulated in Bid Number *Bid ERW2303/02* at the price/s quoted. My offer/s remain binding upon me and open for acceptance by the Purchaser during the validity period indicated and calculated from the closing date of the bid.

3. The following documents shall be deemed to form and be read and construed as part of this agreement:
 - (i) Bidding documents, viz
 - Invitation to bid;
 - Pricing schedule(s);
 - Technical Specification(s);
 - Preference claims in terms of MBD 6.1 as provided for in the Preferential Procurement Regulations 2022;
 - Declaration of interest;
 - Declaration of bidder's past SCM practices;
 - Certificate of Independent Bid Determination;
 - Special Conditions of Contract;
 - (ii) General Conditions of Contract

4. I confirm that I have satisfied myself as to the correctness and validity of my bid; that the price(s) and rate(s) quoted cover all the services specified in the bidding documents; that the price(s) and rate(s) cover all my obligations and I accept that any mistakes regarding price(s) and rate(s) and calculations will be at my own risk.

5. It is noted that this is rate based tender. The contract is limited to Purchase orders issued within the available budget allocated for such on an as and when required basis.

6. I accept full responsibility for the proper execution and fulfilment of all obligations and conditions devolving on me under this agreement as the principal liable for the due fulfilment of this contract.

7. I declare that I have no participation in any collusive practices with any bidder or any other person regarding this or any other bid.

8. I confirm that I am duly authorised to sign this contract.

NAME (PRINT) _____

CAPACITY _____

SIGNATURE _____

NAME OF FIRM _____

DATE _____

WITNESSES	
1.	_____
2.	_____
DATE: _____	



DRAFT SERVICE LEVEL AGREEMENT

Bidders should take note of the attached draft service level agreement that will be concluded upon final confirmation of award. This draft will be used as a format and structure for the final document. The contract will thus take effect on the date of the last signatory on the finalised Service Level Agreement.

BID ERW2303/02: APPOINTMENT OF SERVICE PROVIDER/S FOR THE MAINTENANCE, REPAIRS AND SUPPLY OF ASSOCIATED EQUIPMENT IN RELATION TO MEDIUM VOLTAGE EQUIPMENT ON ALL ERWAT SITES FOR A FIXE TERM PERIOD ON AN AS AND WHEN REQUIRED BASIS

Service Level Agreement (SLA)

Document Owner:	Ekurhuleni Water Care Company (ERWAT)
Service Provider:	XXXXXXXXXXXXXXXXXXXXXX

Version

Version	Date	Description	Author
1.0	XXXXXXXXXXXXXXXXXX	Service Level Agreement	XXXXXXXXXXXXXX

Approval

(By signing below, all Approvers agree to all terms and conditions outlined in this Agreement.)

Approvers	Role	Signed	Approval Date
XXXX	Company Secretary		
XXXXXX	Supply Chain Management		
XXXX	Interim Head of Department - Maintenance		
XXXXXX	Project Manager		
XXXXXX	Bidder		

SERVICE LEVEL AGREEMENT

MADE AND ENTERED INTO BETWEEN
EKURHULENI WATER CARE COMPANY (ERWAT)
Company registration number: 1992/005753/08

Herein referred to as ERWAT, a Section 21 company. Represented by **Mr. K. Chihota** in his capacity as Interim Managing Director or his duly authorized representative.

(HEREINAFTER REFERRED TO AS “**EMPLOYER**”)

AND

XXXXX

A Private Company duly registered and incorporated as such under laws of the Republic of South Africa with Registration Number **xxxxxxxxxx** under VAT Registration Number **xxxxxxxxxx** herein represented by **xxxxxxxxxx** in his capacity as **xxxxxxxxxxxxxxxx** of **xxxxxxxx** and duly authorized thereto by virtue of a resolution passed on **xxxxxxxx** (as attached herewith under **Annexure A**).

(HEREINAFTER REFERRED TO AS “**THE SERVICE PROVIDER**”)

1. **PREAMBLE**

WHEREAS ERWAT has awarded Bid Number: **ERW2303/02** to the SERVICE PROVIDER and the SERVICE PROVIDER accepted the bid for the **APPOINTMENT OF SERVICE PROVIDER/S FOR THE MAINTENANCE, REPAIRS AND SUPPLY OF ASSOCIATED EQUIPMENT IN RELATION OT MEDIUM VOLTAGE EQUIPMENT ON ALL ERWAT SITES FOR A FIXED TERM PERIOD ON AN AS AND WHEN REQUIRED BASIS**, as per the Scope of work (Section 2.1 under the Bid and as attached herewith under **Annexure B**) and Bill of Quantities (Section 2.3 under the Bid and as attached herewith under **Annexure C**) included in the said Bid for Category B of the Bid;

AND WHEREAS the SERVICE PROVIDER as part of the terms and conditions of the said Bid warrants the services and administration thereof as stated in the Bid Document and the Bid Proposal and further shall administer the service as per the service levels set out in this Agreement;

AND WHEREAS the SERVICE PROVIDER agrees to enter into this service level Agreement which is an integral part of the Bid Proposal submitted by the SERVICE PROVIDER in respect of Bid no: **ERW2303/02** and which is further subjected to the General Conditions of Contract (GCC, July 2010 attached herewith under **Annexure D**);

AND WHEREAS the parties acknowledge that they are familiar with the contents of the bid, ERWAT's Bid no: **ERW2303/02** as well as the General Conditions of Contract (GCC, July 2010);

THEREFORE, the parties wish to record in writing the terms and conditions of their agreement relating to the aforementioned and incidental thereto.

2. DEFINITIONS AND INTERPRETATIONS

2.1. DEFINITIONS:

- 2.1.1 **“Agreement or Contract”** – shall mean this Service Level Agreement including the Bid Document, the Service Provider's proposal (submitted in response to the Bid Document), General Conditions of Contract (GCC, July 2010), Award Letter, the letter of acceptance and all the relevant Annexes as applicable.
- 2.1.2 **“Bid Document”** – means the request and description of work called for including the subsequent offer to supply a service to ERWAT at a specified price and in accordance with the specifications contained in the ERWAT description of work and for purposes of the Agreement is also referred to as Terms of Reference and Bid Document under Bid Number: **ERW2303/02**
- 2.1.3 **“Award Letter”** – means the written communication by ERWAT to the SERVICE PROVIDER recording the acceptance by ERWAT of the SERVICE PROVIDER's Bid, subject to the further terms and conditions to be included in this Agreement.
- 2.1.4 **“Service”** – shall mean the **THE MAINTENANCE, REPAIRS AND SUPPLY OF ASSOCIATED EQUIPMENT IN RELATION TO MEDIUM VOLTAGE EQUIPMENT ON ALL ERWAT SITES FOR A FIXED TERM PERIOD ON AN AS AND WHEN REQUIRED BASIS** as per the Scope of work (Section 2.1 under as attached herewith under **Annexure B**) and Bill of Quantities (Section 2.3 under the Bid and as attached herewith under **Annexure C**) included in the said Bid for Category B of the Bid;
- 2.1.5 **“The parties”** – shall mean **ERWAT** (Employer or Client) and **xxxxxxxxxxxx** (The SERVICE PROVIDER).
- 2.1.6 **“Employer or Client”** – shall mean the contracting party named in the Contract who employs the Service Provider.
- 2.1.7 **“Service Provider”** – shall mean the contracting party named in the Contract Data who is employed by the Employer or Client to perform the Services described in the Contract, and legal successors to the Service Provider and legally permitted assignees.
- 2.1.8 **“Sub-Contractor”** – shall mean a person or body corporate who enters into a subcontract with the Service Provider to perform part of the Services.
- 2.1.9 **“Managing Director”** – shall mean ERWAT's Accounting Officer or his duly authorised representative.
- 2.1.10 **“Service Provider's Representative”** – shall mean the SERVICE PROVIDER or its designated employee, who has been appointed in writing, by the SERVICE PROVIDER, respectively whose

responsibility is to ensure that it complies with its contractual obligations under this Agreement and will be communication channel between the parties.

2.1.11 **“Day”** – shall mean a calendar day.

2.1.12 **“Appointment date”** – shall mean the date that a written communication of award of the contract by ERWAT was issued to the SERVICE PROVIDER.

2.1.13 **“Commencement Date”** – shall refer to the last signature date of the Service Level Agreement

2.1.14 **“Effective date or Start date”** – shall refer to the date on receipt of an official purchase from ERWAT.

2.1.15 **“Period of Performance”** – shall mean the period within which the Services are to be performed and completed, commencing from the Commencement Date.

2.1.16 **“Site”** – shall mean the land and other places made available by the Employer or Client, for the purposes of the Contract, on, under, over, in or through which the Works are to be carried out.

2.1.17 **“Contract Price”** – shall mean the price to be paid for the performance of the Services in accordance with the Pricing Data.

2.2. INTERPRETATION:

2.2.1 In this Agreement clause headings are for convenience and shall not be used in its interpretation and, unless the context clearly indicates a contrary intention: -

2.2.2 An expression which denotes –

2.2.2.1 Any gender includes the other genders;

2.2.2.2 a natural person includes an artificial or juristic person and vice versa;

2.2.2.3 The singular includes the plural and vice versa.

2.2.3 Any reference to any statute, regulation or other legislation or official policy shall be a reference to that statute, regulation or other legislation or national policy as at the signature date of this Agreement, and as amended or re-enacted from time to time;

2.2.4 Where any term is defined within a particular clause, other than the interpretation clause, that term shall bear the meaning ascribed to it in that clause wherever it is used in this Agreement.

2.2.5 When any number of days is prescribed, such shall be reckoned exclusively of the first and inclusively of the last day, unless the last day falls on a Saturday, Sunday or Public Holiday, in which case the last day shall be the next succeeding day which is a business day.

3. CONFIRMATION OF DATES

3.1 In this Agreement, each of the dates and durations specified hereunder shall refer to the days and months respectively allocated to in the following:

3.1.1 **“Appointment date”** – shall mean the date that a written communication of award of the contract by ERWAT was issued to the SERVICE PROVIDER

3.1.2 **“Commencement Date”** – shall refer to the date of the last signature on the SLA.

3.1.3 **“Start date”** – shall refer to the date on receipt of an official purchase from ERWAT.

4. APPOINTMENT OF THE SERVICE PROVIDER

- 4.1 ERWAT hereby appoints the SERVICE PROVIDER who, with the signing of this Agreement at the end hereof, accepts such appointment to provide the Services outlined, subject to the terms and conditions set out herein.
- 4.2 All rights and obligations arising from this Agreement shall be deemed to have come into operation on the Commencement Date.
- 4.3 Neither the appointment of THE SERVICE PROVIDER in clause 4.1 nor anything in this Agreement shall give rise to or be construed as giving rise to an employer/employee relationship between the parties, nor shall it give rise to a joint venture nor an agreement of partnership between the parties, nor shall it give rise to a labour broking agreement.
- 4.4 The parties acknowledge that neither of the parties has any authority whatsoever to represent or to bind the other party in any capacity whatsoever. In particular, but without limiting the generality, neither of the parties shall be entitled to conclude any Agreement or sign any document on behalf of the other party, or in any way bind the other party's performance or discharge of any obligation.
- 4.5 The parties agree that no staff member of ERWAT may be requested or solicited to accept any reward gift or favour, nor may any staff member of ERWAT accept any reward gift or favour, for persuading the municipal council or any structure or functionary of the council with regard to the exercise of any power or the performance of any duty; or to make a representation to the council or any structure or functionary; or to disclose any privileged or confidential information; or to do or not to do anything within that staff member's powers or duties.
- 4.6 The conduct described under sub-clause 4.5 goes to the root of the Agreement and constitutes a breach of this Agreement with the further proviso that any person found guilty of such conduct shall be dealt with in terms of the provisions of South African Law.

5. COMMENCEMENT AND TERM OF THE AGREEMENT

- 5.1 The contract will commence on the last signature date of the Service Level Agreement.
- 5.2 The appointment is for a Maximum period of thirty-six (36) months limited to three (3) financial periods as determined by the Municipal Finance Management Act (MFMA), on an as and when required basis.
- 5.3 The award is subject to a probation period of Twelve (12) months, whereby if your performance is not to the satisfaction of ERWAT, the contract will automatically lapse after the Twelve (12) months' probation. The contract will thus continue after the 12th month performance evaluation session if deemed to be to the satisfaction of ERWAT as indicated in the performance evaluation document.
- 5.4 If the tender is found to be unauthorised, fruitless and wasteful or irregular as informed through a formal investigation, internal and or external audit outcome, ERWAT reserves the right to cancel the tender with immediate effect and the bidder will have no claim to this affect whatsoever. The final terms of payment (where applicable) will be negotiated with the bidder at the time for final close out of the contract.

6. CONTRACT PRICE

- 6.1 The price charged by the SERVICE PROVIDER for Service performed under this Agreement shall be as per the prices quoted by the SERVICE PROVIDER in their Bid Document.
- 6.2 The Bid of the SERVICE PROVIDER was awarded and accepted at the agreed rates as outlined in the bill of quantities (as attached herewith under **Annexure C**).

7. CONTRACT PRICE

- 7.1 The price charged by the SERVICE PROVIDER for Service performed under this Agreement shall be as per the prices quoted by the SERVICE PROVIDER in their Bid Document.
- 7.2 The Bid of the SERVICE PROVIDER was awarded and accepted at the agreed rates as outlined in the bill of quantities (as attached herewith under **Annexure C**).

8. INDEMNIFICATION

Indemnification is applicable to this bid as set out below:

- (1) The Contractor hereby agrees to indemnify, hold harmless and defend ERWAT and their officers, employees, agents and representatives, from and against the following liabilities arising as a result of the execution of the work:
- (1.1) Any liability with regard to claims by governmental authorities or others for non-compliance by Contractor of any Act of Parliament, law, ordinance, regulation or by-law made by a lawful authority provided that such compliance therewith was required for the execution of the Contract or at Law.
 - (1.2) Any liability arising from actual or alleged public or private nuisance arising out of negligent acts or omissions to act of Contractor or its Subcontractors, or of their employees.
 - (1.3) Any liability arising from loss or damage to Contractor and/or Subcontractor's equipment and their other property on site.
 - (1.4) Any liability arising from claims with regard to the death of/or injury or sickness or disease to Contractor's employees or the death of/or injury or sickness or disease to third parties.
 - (1.5) Any liability arising from any loss of/or damage to property belonging to a third party.
 - (1.6) Any liability arising from actual or asserted infringement or improper appropriation or use of patents, copyrights, proprietary information or know-how in respect of the work designed by/or under the responsibility of the Contractor.
 - (1.7) Any liability arising from the death or injury or loss or damage to property of third parties or ERWAT's property as a result of the negligent acts or omissions of contractors or its subcontractor's employees.
 - (1.8) Contractor shall indemnify ERWAT against all claims, proceedings, damages and costs of whatsoever nature arising out of contravention of environmental legislation.

9. SECURITY

Site Security

- 9.1 The SERVICE PROVIDER further undertakes to provide security and safeguarding of equipment and supplies to be used for and during this project.
- a. This will be applicable in the event that said equipment and supplies are removed from operation and taken off site for maintenance and/or repairs, and
 - b. When any activity in relation to this contract is undertaken outside the area and/or perimeter covered by ERWAT security arrangement.
 - c. Therefore, ERWAT will not be liable for any damages or losses resulting from the omission of the aforementioned precaution.

10. TERMS OF REFERENCE AND BID DOCUMENTS

- 10.1 Where possible the stipulations in the Terms of Reference and Bid Document must be interpreted in such a way that it is not in conflict with this Agreement. However, where any terms, conditions, prescription or guidelines in the Terms of Reference are in direct conflict with this Service Level Agreement and cannot be given a meaning or meanings that are not in conflict with the Agreement, and cannot be reconciled with it, then the Service Level Agreement shall prevail, and where the Service level agreement and Bid document is silent the General Conditions of Contract (GCC, July 2010) shall prevail.

11. SUBCONTRACTING

11.1. Clause 20 “Subcontracts” of the General Conditions of Contract (GCC, July 2010), refers and will be applicable to this Agreement and read in its entirety.

12. PAYMENTS

12.1 The payment terms are detailed in the bid document.

12.2 Specific payment requirement :

Quotations must be submitted with the Cause of Failure Report;
Invoices shall be authorized for payment only when accompanied by the following documents:

- a. Warranty provisions
- b. Test Certificate
- c. Calibration Certificate
- d. Purchase order

Standard payment terms are 30 Days from receipt of valid invoice/tax invoice and statement.

ERWAT will not accept any responsibility for the payment of any invoices submitted by a successful bidder(s) if the relevant invoice does not reflect an official ERWAT order number.

All invoices/tax invoices and statements must comply with the **VAT Act No 89 of 1991** before payment can be effected. Any penalties incurred by ERWAT from SARS in relation to any VAT issues in connection with the invoice will be for the account of the service provider.

13. PENALTIES

13.1. Clause 22 “Penalties” of the General Conditions of Contract (GCC, July 2010), refers and will be applicable to this Agreement and read in its entirety.

13.2. (22.1) Subject to GCC Clause 25, if the supplier fails to deliver any or all of the goods or to perform the services within the period(s) specified in the contract, the purchaser shall, without prejudice to its other remedies under the contract, deduct from the contract price, as a penalty, a sum calculated on the delivered price of the delayed goods or unperformed services using the current prime interest rate calculated for each day of the delay until actual delivery or performance. The purchaser may also consider termination of the contract pursuant to GCC Clause 23

14. PERFORMANCE MANAGEMENT SYSTEM

14.1. The Performance management system will be implemented in terms of section 3.6 of the bid document.

14.2. The SERVICE PROVIDER shall be subjected to a performance evaluation, conducted on a quarterly basis.

14.3. An example of a performance evaluation form is contained in **Annexure E**.

15. SITE LOCATION

15.1. The site whereas the Services will be carried out shall be at the following treatment works:

ERWAT WWTP	Stand/ Farm Positioned	Street Name	Co-ordinates
Drainage District 3			
Ester Park	Park 753, Ester Park, Extension	R25	S 26°05'58" E 28°11'02"
Hartebeestfontein	Portion 20 & Remaining of Portion 4 of farm Hartebeestfontein 17	Bapsfontein Road, Norkem Park, Kempton park	S 26°01'11" E 28°17'1"
Olifantsfontein	Olifantsfontein 402 IR	Ceramic Road, Olifantsfontein	S 26°56'26" E 28°12'56"
Rynfield	Portion 75 of Vlakfontein 161	Sarel Cilliers, Rynfield	S 26°09'37" E 28°21'30"
Benoni	Remaining Portion 6 of Rietfontein	Lancaster Road, Benoni	S 26°12'30" E 28°19'01"
Drainage District 4			
Ancor	Remaining Extension of Portion 151 farm Daggafontein 125	Ermelo Road, Springs	S 26°16'11" E 28°28'56"
Daveyton	Daveyton	Holfontein Road, Etwatwa	S 26°12'30" E 28°19'01"
Jan Smuts	Portion 73 of farm Weltevreden 118	Wanderers Street Extension, Brakpan	S 25°57'43" E 28°12'49"
JP Marais	Portion 70 of farm Modderfontein 76	Cnr N12 / Kingsway Road	S 25°57'43" E 28°12'49"
Welgedacht	Portion 81 & 82 of farm Welgedacht	1 Carnation Road Welgedacht AH, Springs	S 26°12'30" E 28°19'01"
Drainage District 5			
Carl Grundling	Portion 58 of farm Varkenfontein 169	Vorsterkroon, Nigel	S 26°12'30" E 28°19'01"
Herbert Bickley	Portion 13 of farm Maraisdrift 190	Heidelberg Road, Maraisdrift, Nigel	S 26°12'30" E 28°19'01"
Heidelberg	Portion 28 of farm Boschhoek 385	Vaaldam Road, Heidelberg	S 25°57'43" E 28°12'49"
Ratanda	Nooitegedacht 390	Vaaldam Road, Ratanda	S 26°12'30" E 28°19'01"
Tsakane	Portion 22 of farm Vlakfontein 161	Cnr Modjadji and khama Streets	S 26°12'30" E 28°19'01"
Drainage District 6			
Dekema	Portion 10 of Kallehong 151	Brickfield Road, Motsamai Section	S 26°12'30" E 28°19'01"
Rondebult	Remaining Portion 27 Rondebult 136	Cnr Kalk/ Van dyk Road, Rondebult	S 26°12'30" E 28°19'01"
Vlakplaats	Portion 191 farm of Vlakplaats 138	Cnr Brickfield / Bierman Street, Vosloorus	S 26°12'30" E 28°19'01"
Waterval	Portion 50,62,12 and 1 of farm Waterval 150 and Remaining portion 3 of the farm Witkop	Waterfal Farm, Meadow Road, kliprivier	S 26°12'30" E 28°19'01"

15.2 The assembling factory and storage site shall be at the both ERWAT and the SERVICE PROVIDER'S premises, which is at the following location:

- 15.2.1 ERWAT premises: As Stated on 17.1
- 15.2.2 SERVICE PROVIDER'S premises (XXX): XXX

16. WORKING HOURS

- 16.1 The working hours on site will be as follows: the SERVICE PROVIDER will be required to be on standby during all hours.
 - 16.1.1 Office hours: Monday to Friday: 07:00 am to 16:30 pm
 - 16.1.2 After hours: Weekdays between 16:30 pm to 07:00 am
 - 16.1.3 Weekends: Friday: 16:00 pm to Monday: 07:00 am
 - 16.1.4 Public Holidays: as promulgated in terms of the Public Holidays Act, 36 of 1994 annually.

17 DAMAGE TO EXISTING

- 17.1 The SERVICE PROVIDER shall be liable to pay for any damages emanating from the activities of their on-site teams including those of the sub-contractors. Hence, precaution must be taken when performing works at the existing wastewater care works with existing varying services to avoid discontinuity of the already operational equipment (or plant).
- 17.2 Any damage to an existing service must be reported to ERWAT immediately and reasons and circumstances for the damage must be submitted in writing.
- 17.3 The arrangement to have the damage repaired must immediately be implemented. The damages to be repaired within a day, should this be not possible, at least a mitigation plan must be implemented as a temporary measure until the damages can be permanently resolved. Damages that occur, which is not the SERVICE PROVIDERS fault, must be motivated by the SERVICE PROVIDER for a ruling by ERWAT.

18 DOMICILE AND NOTICES

18.1 The parties choose their domicile for all purposes relating to this Agreement, including the giving of any notice, the payment of any sum and the serving any process, as follows:

18.1.1 EKURHULENI WATER CARE COMPANY

Physical: - Hartebeestfontein Office Park
R25 (Bronkhorstspruit/Bapsfontein)
Kempton Park
Postal: - PO. Box 13106
Norkem Park
1631
Fax: - (011) 927 7031
Email Address: - xxxxx@erwat.co.za

18.1.2 THE SERVICE PROVIDER

Physical: **XXXXXXXXXXXXXXXXXXXXX**
XXXXXXXXXXXXXXXXXXXXXX
XXXXXXXXXXXXXXXXXXXXX
Tel no - (010) xxxxxxxxxxxxxxx
Fax no: - (086) xxxxxxxxxxxxxxx
Email Address: XXXXXXXXXXXXXXXXXXXXXXXXX

18.2 Each party shall be entitled from time to time, by giving written notice to the others, to vary its physical domicile to any other physical address (not being a post office box or "remainder post") within the Republic or to vary its postal domicile or its facsimile domicile to any other within the Republic.

18.3 Any notice given or any payment made by any party to any other ("addressee") which is:

- Delivered by hand between the hours of 08:00 and 16:30 on any business day to the addressee's physical domicile for the time being, shall be deemed to have been received by the addressee at the time of delivery;
- Posted by registered post to the addressee's postal domicile for the time being, shall be presumed to have been received by the addressee on the fourteenth day after date of posting.
- Any notice given by any party to any other which is sent by facsimile to the addressee's facsimile domicile for the time being shall be deemed to have been received by the addressee on the day immediately succeeding the date of successful transmission thereof.
- This domicile clause shall not operate so as to invalidate the giving or receipt of any notice, which is actually received by the addressee other than by a method referred to in this clause.
- Any notice required or permitted to be given in terms of this Agreement shall be valid and effective only if in writing.

19. **LIMITATION OF LIABILITY**

Clause 28 "Limit of Liability" of the the General Conditions of Contract (GCC, July 2010), refers and will be applicable to this Agreement and read in its entirety.

20. **CONFIDENTIALITY**

20.1 It is recorded that the SERVICE PROVIDER, by virtue of his/her association with ERWAT, will become in possession of and will have access to confidential information belonging to ERWAT including, but without limiting the generality of the foregoing, the following matters:

- a) The contractual and financial arrangements between ERWAT and other bidders;
- b) ERWAT's financial matters;
- c) All other matters, which relate to ERWAT's business and in respect of which information is not readily available in the ordinary course of business to a competitor.

20.2 Having regard to the facts recorded above, the SERVICE PROVIDER undertakes that in order to protect the proprietary interest of ERWAT in the confidential information-

- i. They will not during the contract period or at any time thereafter, directly or indirectly, either use or disclose any of the confidential information, other than as may be required by their Contract with ERWAT or as may be required to comply with any law or to enforce service provider's rights in terms of this Contract;
- ii. Any written or other Instructions, Drawings, Notes, Memoranda or Records which are made available to them or which come into their possession by any means whatsoever shall be deemed to be the property of ERWAT. Such property of ERWAT shall be surrendered to ERWAT on demand and in any event on the termination date of this Agreement and the SERVICE PROVIDER shall not retain any copies thereof or extracts there from.

21. PUBLICITY

a. None of the parties shall issue any public document or make any press release relating to or arising out of this Agreement or its subject matter without obtaining the prior written approval of all other party to this Agreement, to the contents thereof and the manner of its presentation and publication; provided that such approval shall not be unreasonably withheld or delayed.

22. CESSION OF RIGHTS

a. Save as otherwise expressly stipulated in this Agreement, this Agreement is personal to the parties;
b. No party may cede, delegate or assign any of its rights or obligations in terms of this Agreement without the prior written consent of the other party, which consent shall not be unreasonably withheld or delayed.

23. WAIVER OF RIGHTS

23.1 No party's partial exercise of, or failure to exercise or delay in exercising any right, power, privilege or remedy in terms of this Agreement shall be construed as a waiver by that party.
23.2 Such partial exercise or failure shall not operate so as to preclude that party from exercising its rights strictly in accordance with this Agreement, unless such party has expressly waived or otherwise foregone its ability to exercise such right, power, privilege or remedy (at all or in part or until after such period of delay) in terms of a written document signed by such party.
23.2 In the event of a party having concluded such a written document, it shall be strictly construed to form an integral part of this Agreement.

24. AMENDMENT OR VARIATION OF THIS AGREEMENT

Any amendments or variations to this agreement will be reduced to writing and signed off by both parties.

25. ENTIRE AGREEMENT

This service level agreement constitutes the entire Agreement between the parties and replaces all previous representations, arrangements, discussion and agreements between the parties.

SIGNED at _____ on this _____ day of _____ 2023.

AS WITNESSES:

1. _____

Duly authorised for and on behalf of
EKURHULENI WATER CARE COMPANY

2. _____

SIGNED at _____ on this _____ day of

_____ 2023.

AS WITNESSES:

1. _____

_____ Duly authorised for and on behalf of **XXXXXXXXXXXXXXXXXXXX**

2. _____

ANNEXURE "A"

A1. AUTHORITY OF SIGNATORY

ANNEXURE "B"

B1. PROGRAM OF WORKS

B2. SCOPE OF WORKS

ANNEXURE "C"

C1. BILL OF QUANTITIES

ANNEXURE "D"

D1. GENERAL CONDITIONS OF CONTRACT, JULY 2010

ANNEXURE "E"

E1. PERFORMANCE MANAGEMENT SYSTEM

ANNEXURE "F"

F1. COMMUNICATION AND MANAGEMENT PERSONNEL

The following personnel will be responsible for the execution of the contract hence all communication must be directed to them:



DRAFT PERFORMANCE EVALUATION MANAGEMENT

The Municipal Finance Management Act (No. 56 of 2003) Section 116 (2) (d) determines that a Municipality must enter into a Performance Management System (PMS) with all service providers.

A PMS will be concluded with the appointed bidder and the costing for this project will run during the **2023/2024, 2024/2025 and 2025/2026** financial budget years.

The following document is a draft of the performance evaluation that will be conducted with the awarded bidders on a regular basis as determined in the Service Level Agreement. The final performance evaluation document will be finalised at SLA stage and signed together with the SLA.

The **Maintenance Department** will monitor performance on a monthly basis at scheduled meetings with the service provider where minutes of progress, activities, challenges, risks encountered, and planned work will be recorded. Evaluation will be based on progress, outputs, targets on key deliverables and compliance to the reporting timelines as specified. The draft Performance Evaluation Document is attached to this document for ease of reference and will be finalised at signing of the service level agreement.

PERFORMANCE MANAGEMENT SYSTEM

EXTERNAL SERVICE PROVIDERS

(in terms of Section 116 of the Municipal Finance Management Act, Act 56 of 2003)

CONTRACT NUMBER AND DESCRIPTION	ERW2303/02 APPOINTMENT OF SERVICE PROVIDER/S FOR THE MAINTENANCE, REPAIRS AND SUPPLY OF ASSOCIATED EQUIPMENT IN RELATION TO MEDIUM VOLTAGE EQUIPMENT ON ALL ERWAT SITES FOR A FIXED TERM PERIOD ON AN AS AND WHEN REQUIRED BASIS		
SUCCESSFUL BIDDER	XX		
PROCESS OF PROCUREMENT	Open tender process		
TERM OF CONTRACT	xxxxx		
RESPONSIBLE PERSON FOR ASSESSMENT & COMPLETION OF PERFORMANCE REPORT	EXECUTIVE MANAGER: MAINTANCE	XX	
	PROJECT MANAGER		
TARGET DATE FOR ASSESSMENT OF PERFORMANCE, e.g. Monthly/Quarterly/Annually	MONTHLY	PERIOD OF REVIEW	2023

KEY PERFORMANCE AREA	KEY PERFORMANCE INDICATOR	RESPONSIBLE PERSON & TARGET DATE	COMPLIANCE & DATE	COMPLIANCE RATINGS EXCELLENT =2 GOOD = 1 AVERAGE = 0 POOR = -1	DEVIATIONS, IF ANY, PROVIDE REASONS	AGREED RECTIFICATION MEASURES TO COMPLY
A. OPERATIONAL KPI's (TO BE COMPLETED BY RELEVANT DEPARTMENT IN LINE WITH SCOPE OF WORKS)						
Maintenance Servicing and Repairs of all types, sizes and models of Medium Voltage Switchgear, Mini Subs, Transformers and auxiliary equipment and devices	<ul style="list-style-type: none"> - The locating of one cable fault Switchgear Maintenance - Transformer Maintenance - Primary Injection Test on Switchgear - Secondary Injection Test on Switchgear - Test and service of a Battery Tripping unit - Pressure testing a cable 230 VAC to 22 KV - Partial discharge (PD) test with a report on Transient Earth Voltages and Ultrasonic measurements 	Service Provider As and when as per Purchase Order issued				

	<ul style="list-style-type: none"> - Insulation resistance test by applying double the rated voltage in a DC supply, with the specified High voltage insulation resistance tester for one minute to determine the Mega-Ohm resistance - Electronic-time-travel-open-close speed trace test using the specified Circuit breaker analyser - Testing Mineral insulating oil sample for Transformer and Switchgear - Transformer winding test with the specified tester 					
Minimum of two MV electricians on contract including tools, vehicles and assistance each	Service providers staff indicated at time of closing of bid still employed and available to ERWAT with the required tools?	Service Provider				
SANS code	All work done and equipment supplied done accordance with the applicable SANS code as listed in the bid document	Service Provider				
Occupational Health & Safety Act	Compliance to Occupational Health & Safety Act at all times. OHS Officer to sign off on documents in tender document and Safety file where required	Service Provider Ongoing & OHS Officer				
Instructions to render services	Works/services rendered were done on receipt of official Purchase orders from ERWAT	Service Provider ERWAT				
Standard of works/services by the Service provider	The installation of any equipment, new, repaired or refurbished include the putting back into operation, testing, special testing (if required) and adjustments on the equipment	Service Provider				

Original equipment manufacturer (OEM's) standard	Repairs and or installation have been performed as per the original equipment manufacturer (OEM's) recommendation	Service Provider				
Fault reports Warranties Economy viability	Fault reports and warranties submitted with quotes and invoices. The economy viability has been considered before repairs and maintenance was done.	Service Provider				
Time frames within which service provider responded and rendered the required service	Services rendered within set time frames as set out in the SLA	Service Provider ERWAT				

ACCEPTED AND AGREED UPON ON BEHALF OF SERVICE PROVIDER:

_____/_____/2023
 NAME AND SURNAME / SIGNATURE / DATE
 DELEGATED AUTHORISED PERSON

ACCEPTED AND AGREED UPON ON BEHALF OF ERWAT:

_____/_____/2023
 NAME AND SURNAME / SIGNATURE / DATE
 PROJECT MANAGER/SUPERVISOR

_____/_____/2023
 NAME AND SURNAME: / SIGNATURE / DATE
 HEAD OF DEPARTMENT: MAINTENANCE

B. COMMERCIAL KPI (TO BE COMPLETED BY SCM - ANNUALLY)					
			COMPLY	NON-COMPLIANCE	AGREED RECTIFICATION MEASURES TO COMPLY
1. Completion and submission of Vendor Registration documents	Submission of updated documents for Capturing of Vendor on Solar with updated documents	Service Provider Annually SCM Contracts to upload new service provider on Solar and verify info annually for contract period			
2. Certified copies of mandatory documents	<p>Verification of the following mandatory documents in the original tender document submitted:</p> <ol style="list-style-type: none"> 1. Certified copy of company registration 2. Certified copy of Proof of Ownership 3. Proof of bank details (Bank statement or cancelled cheque) 4. Valid Income Tax for the owner of the business 5. Original Tax Clearance Certificate for the owner of the business 6. PAYE if staff are employed 7. VAT Registration (as per SARS annual tum-over value), if registered for VAT 8. UIF Certificate if staff are employed 9. Workman 's compensation if staff are employed 10. Security Officer's Board - if applicable - security industry 11. Certified proof of disability - if owner is disabled 12. Clear certified copy of owners Identity Document 13. Document stamped and signed by Commissioner of Oath 14. The Declaration of Interest Form completed and signed in full 15. CSD registration document (full and audit reports) 	Service Provider in collaboration with Contract management section upon award and annually thereafter for the remainder of the contract term			

3. Submission of Invoices	The Original Tax Invoices submitted for payment reflects the following information: - On company letterhead - Business street/physical address - Business telephone and fax number/e-mail address - Quotation/Purchase Order reference number - Company VAT Registration Number (if applicable) - ERWAT VAT Registration Number: XXXXX - Tax Reference Number - Company Registration Number	Service Provider Monthly			
4. Indemnity Clause	Indemnification of ERWAT of any in- juries or losses that may occur during the execution of work	Service Provider Annually			
5. Training of staff and or skills transfer	Xx	Service Provider Ongoing			
6. Special conditions of contract: E.g. delivery period, response time, frequency of services, etc.	Xx	Service Provider Ongoing			

FOR OFFICIAL (SCM) USE ONLY:	
COMPLIANCE VERIFIED: SCM CONTRACT MANAGEMENT OFFICER	PERFORMANCE VERIFIED AND SIGNED BY ALL PARTIES: SCM SPECIALIST: CONTRACTS MANAGEMENT
NAME AND SURNAME: MS HESTER VAN ZYL SIGNATURE: _____ DATE: _____ / _____ / 2023	NAME AND SURNAME: MR MASOTLA SEBONA SIGNATURE: _____ DATE: _____ / _____ / 2023